



PHOENIX

SPECIFICATIONS

SUBI

SHOWER/WALL MIXER

PRODUCT CODE:	I0578000C
FINISH:	CHROME
WELS:	N/A

INFORMATION:

TEMPERATURE RATING:	MIN 1° - MAX 75°
PRESSURE RATING:	MIN 150 kPa - MAX 500 kPa

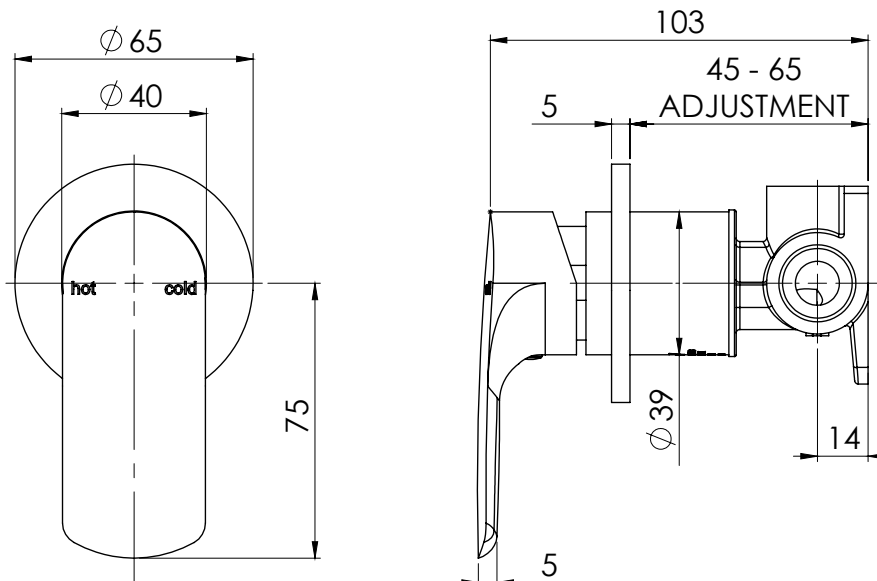


AVAILABLE IN:



CHROME

FOR MORE INFORMATION VISIT
www.phoenixtapware.com.au



PLEASE [CLICK HERE](#) TO VIEW FULL WARRANTY

While we aim to ensure the specifications shown are correct at time of printing, Phoenix Tapware reserves the right to make modifications without prior notice. Always use the physical product measurements for mark-ups and roughing-in as the line drawing shown may differ from the actual product over time. All measurements are shown in millimetres.

A Registered Design and Trademark of Phoenix Industries Pty. Ltd

V291116

www.phoenixtapware.com.au
03 9780 4200



PHOENIX

SPECIFICATIONS

SUBI

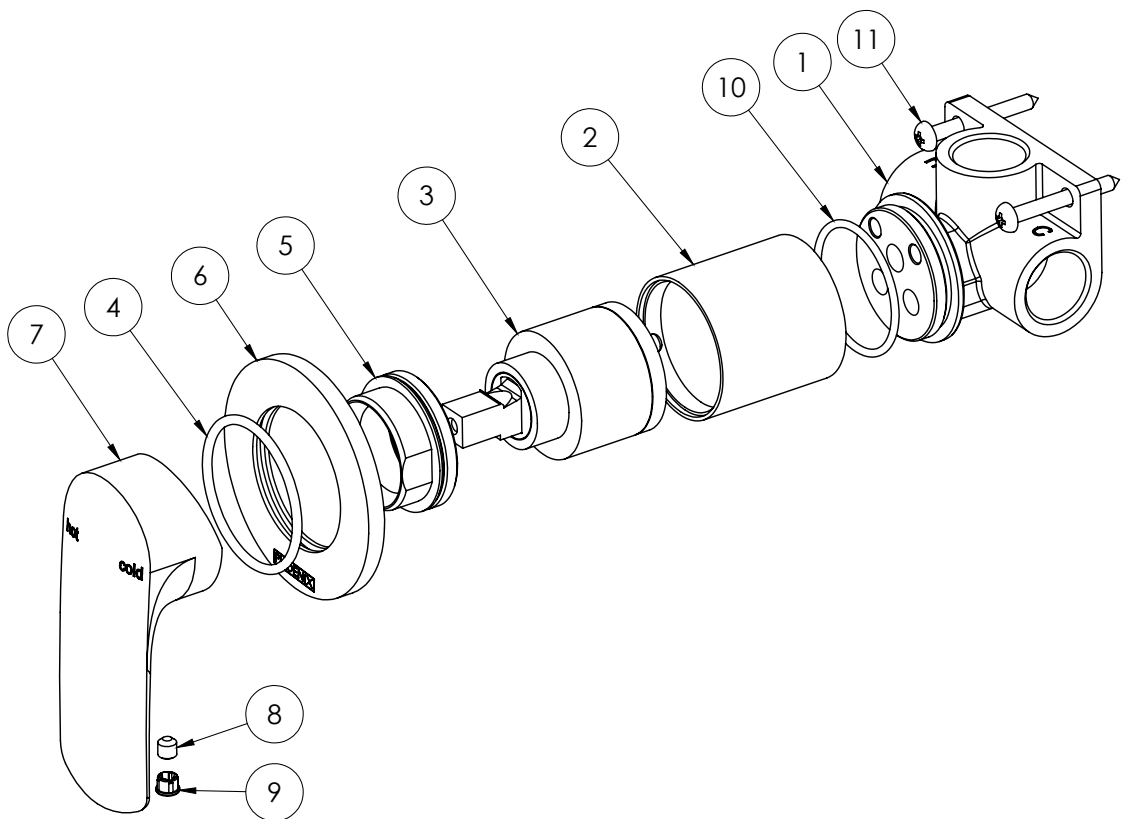
SHOWER/WALL MIXER

PRODUCT CODE: I0578000C
FINISH: CHROME
WELS: N/A



PARTS LIST

1. WALL MIXER BODY
2. WALL MIXER SLEEVE
3. 35MM CARTRIDGE
4. O-RING
5. LOCKNUT DOME
6. BACKPLATE
7. MIXER HANDLE
8. GRUB SCREW M5X5
9. SCREW CAP
10. O-RING
11. SCREW M4X35



MAINTENANCE AND CARE:

- Chrome plated surfaces should be cleaned with mild liquid detergent or soap and water.
- Do not use cream cleaners or citrus based cleaning products, as they are abrasive.
- Use of unsuitable cleaning agents may damage the surface. Any damage caused in this way will not be covered by warranty.

PACKAGING INCLUDES

- 1 x Shower mixer
- 1 x Installation kit
- 1 x Installation instructions
- 1 x Warranty sheet

PLEASE [CLICK HERE](#) TO VIEW FULL WARRANTY

While we aim to ensure the specifications shown are correct at time of printing, Phoenix Tapware reserves the right to make modifications without prior notice. Always use the physical product measurements for mark-ups and roughing-in as the line drawing shown may differ from the actual product over time. All measurements are shown in millimetres.

A Registered Design and Trademark of Phoenix Industries Pty, Ltd

V291116

www.phoenixtapware.com.au
03 9780 4200