



# PHOENIX

## SPECIFICATIONS

### ARGO

### SINK MIXER SQUARELINE

PRODUCT CODE: AG731 CHR  
 FINISH: CHROME  
 WELS: 5 STAR - 6.0 LT/MIN

#### INFORMATION:

MATERIAL: BRASS  
 TEMPERATURE RATING: MIN 1° - MAX 75°  
 PRESSURE RATING: MIN 150 kPa - MAX 500 kPa

#### CONSUMER UNIT:

SIZE: L 450MM x W 260MM x H 70MM  
 GROSS WEIGHT: 1.95 KG  
 BARCODE EAN-13: 9 320594 016 968

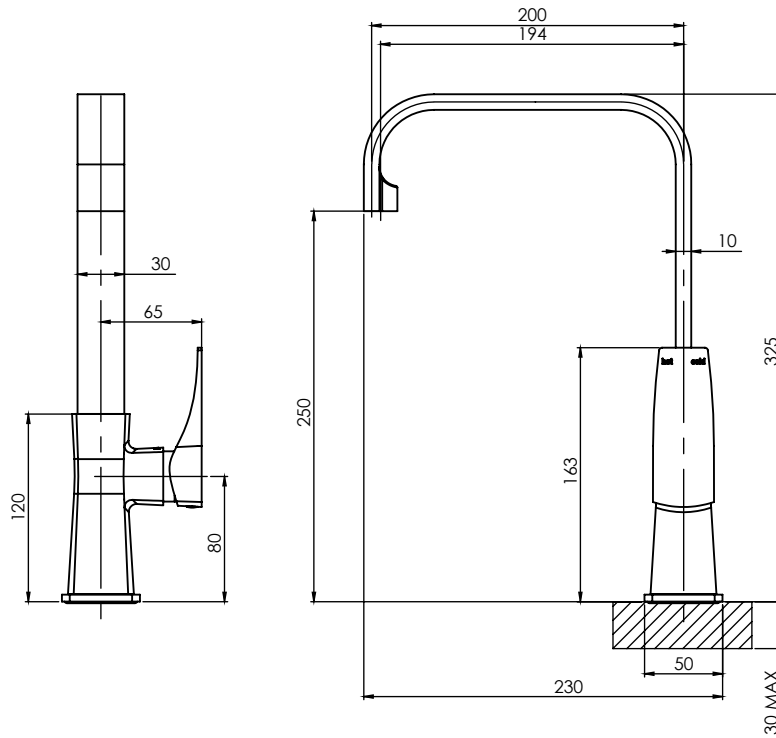


AVAILABLE IN:



CHROME

FOR MORE INFORMATION VISIT  
[www.phoenixtapware.com](http://www.phoenixtapware.com)



PLEASE [CLICK HERE TO VIEW FULL WARRANTY](#)

While we aim to ensure the specifications shown are correct at time of printing, Phoenix Tapware reserves the right to make modifications without prior notice. Always use the physical product measurements for mark-ups and roughing-in as the line drawing shown may differ from the actual product over time. All measurements are shown in millimetres.

ARGO is a Registered Trademark of Phoenix Industries Pty. Ltd.

V080416

[www.phoenixtapware.com.au](http://www.phoenixtapware.com.au)  
03 9780 4200



# PHOENIX

## SPECIFICATIONS

### ARGO

### SINK MIXER SQUARELINE

PRODUCT CODE:

AG731 CHR

FINISH:

CHROME

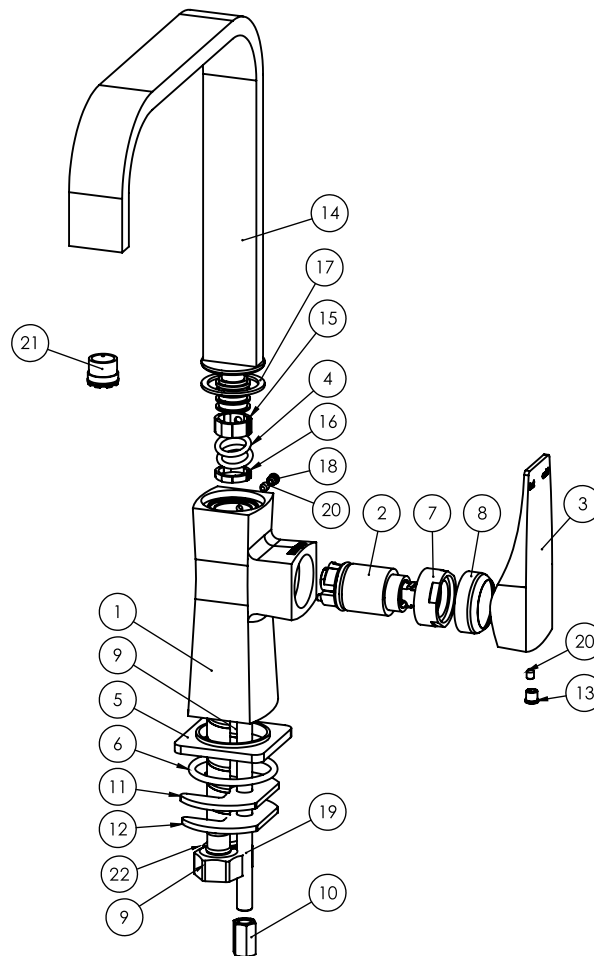
WELS:

5 STAR - 6.0 LT/MIN



#### PARTS LIST

1. MIXER BODY
2. 25MM CARTRIDGE
3. MIXER HANDLE
4. O-RING 13.8X2.7MM
5. DRESS PLATE
6. O-RING 46X3.5MM
7. MIXER LOCKNUT
8. MIXER DOME
9. FLEXIBLE HOSE 450MM HOT
10. M8 NUT
11. RUBBER FIXING PLATE
12. FIXING PLATE
13. SCREW CAP M5
14. SQUARELINE SPOUT
15. SPOUT BEARING
16. SPOUT BEARING
17. NYLON SPOUT RING
18. RUBBER SCREW CAP M4
19. M8 THREADED ROD
20. GRUB SCREW
21. AERATOR
22. FLEXIBLE HOSE 450MM COLD



#### MAINTENANCE AND CARE:

- All surfaces should be cleaned with mild liquid detergent or soap and water.
- Do not use cream cleaners or citrus based cleaning products, as they are abrasive.
- Use of unsuitable cleaning agents may damage the surface. Any damage caused in this way will not be covered by warranty.

#### PACKAGING INCLUDES

- 1 x Sink Mixer Squareline
- 1 x Installation kit
- 1 x 450mm braided flexible cold hose
- 1 x 450mm braided flexible hot hose
- 1 x Installation instructions
- 1 x Warranty card

PLEASE [CLICK HERE](#) TO VIEW FULL WARRANTY

While we aim to ensure the specifications shown are correct at time of printing, Phoenix Tapware reserves the right to make modifications without prior notice. Always use the physical product measurements for mark-ups and roughing-in as the line drawing shown may differ from the actual product over time. All measurements are shown in millimetres.

ARGO is a Registered Trademark of Phoenix Industries Pty. Ltd.

V080416

[www.phoenixtapware.com.au](http://www.phoenixtapware.com.au)  
03 9780 4200