



# PHOENIX

## SPECIFICATIONS

### ARGO

### SINK MIXER 200MM GOOSENECK

PRODUCT CODE: AG732 CHR  
 FINISH: CHROME  
 WELS: 4 STAR - 7.0 LT/MIN

#### INFORMATION:

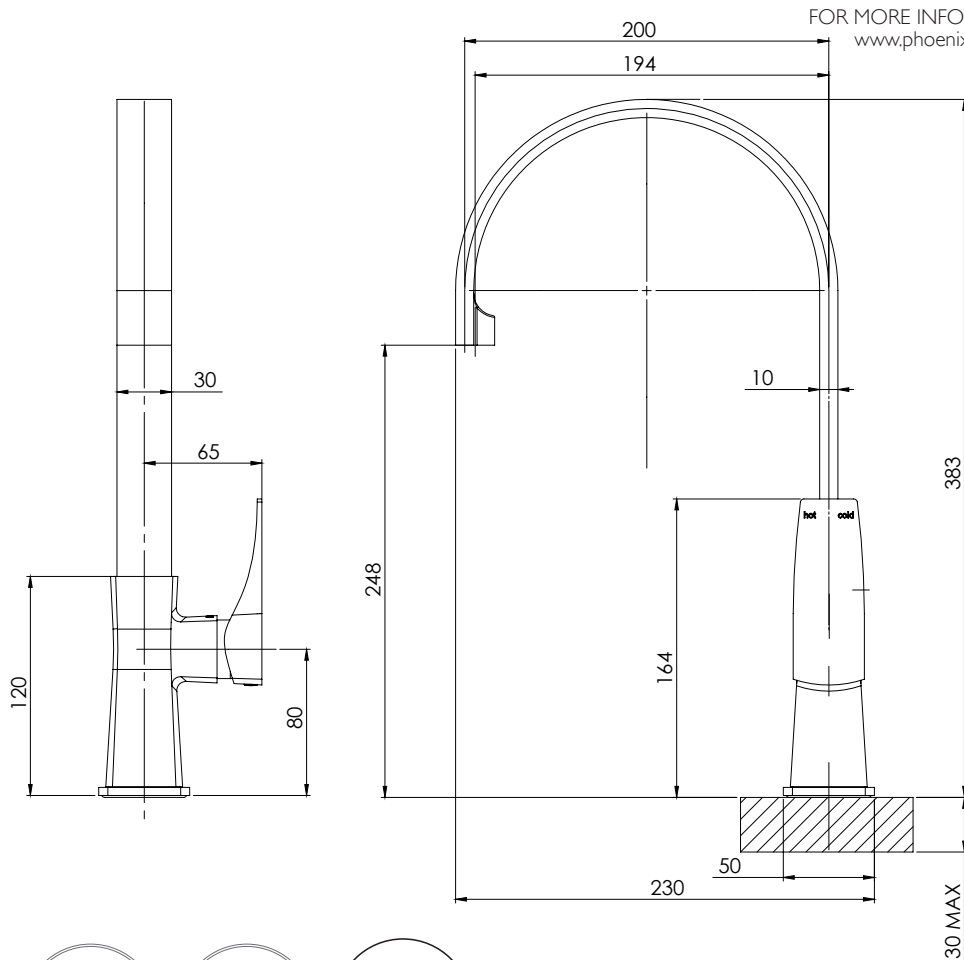
TEMPERATURE RATING: MIN 1° - MAX 75°  
 PRESSURE RATING: MIN 150 kPa - MAX 500 kPa



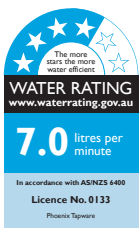
AVAILABLE IN:



CHROME



FOR MORE INFORMATION VISIT [www.phoenixtapware.com.au](http://www.phoenixtapware.com.au)



PLEASE [CLICK HERE TO VIEW FULL WARRANTY](#)

While we aim to ensure the specifications shown are correct at time of printing, Phoenix Tapware reserves the right to make modifications without prior notice. Always use the physical product measurements for mark-ups and roughing-in as the line drawing shown may differ from the actual product over time. All measurements are shown in millimetres.

Argo is a Registered Trademark of Phoenix Industries Pty. Ltd.

V030417

[www.phoenixtapware.com.au](http://www.phoenixtapware.com.au)  
03 9780 4200



# PHOENIX

## SPECIFICATIONS

### ARGO

### SINK MIXER 200MM GOOSENECK

PRODUCT CODE:

AG732 CHR

FINISH:

CHROME

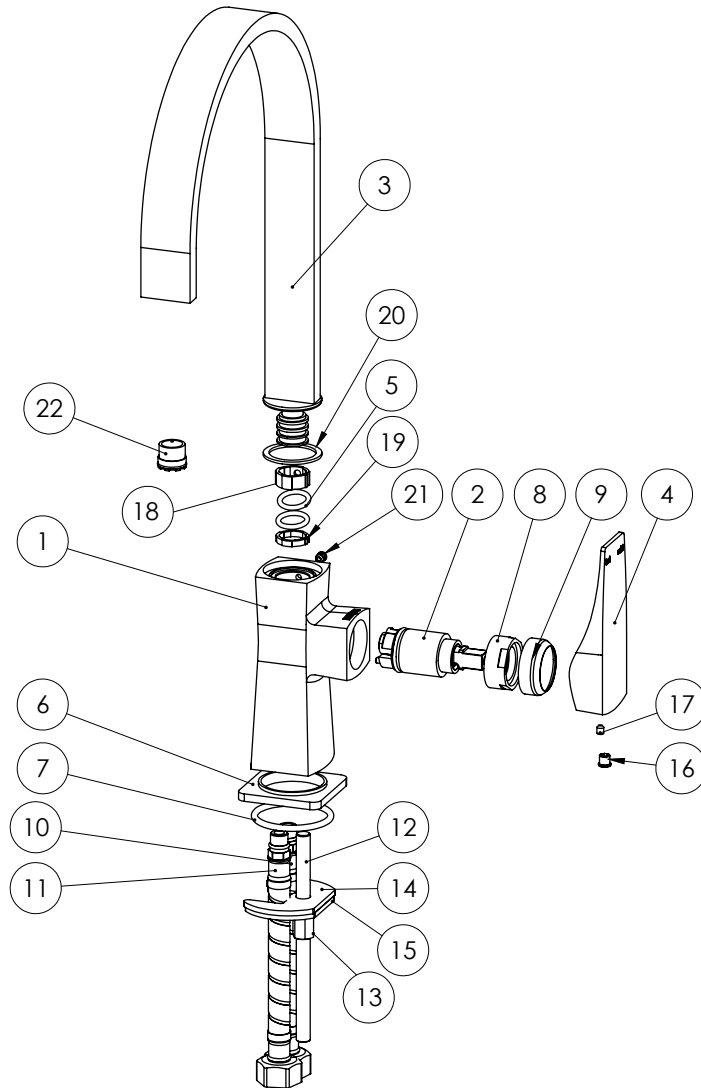
WELS:

4 STAR - 7.0 LT/MIN



#### PARTS LIST

1. MIXER BODY
2. 25MM CARTRIDGE
3. SPOUT
4. MIXER HANDLE
5. O-RING 13.8X2.7
6. SINK MIXER PLATE
7. O-RING 46X3.5
8. MIXER LOCKNUT
9. MIXER DOMME
10. FLEXIBLE HOSE 450MM COLD
11. FLEXIBLE HOSE 450MM HOT
12. M8X125MM THREADED ROD
13. M8 NUT
14. FIXING PLATE RUBBER
15. FIXING PLATE
16. SCREW CAP M5
17. GRUB SCREW M4X5
18. SPOUT BEARING LARGE
19. SPOUT BEARING SMALL
20. SPOUT NYLON RING
21. RUBBER SCREW CAP M4 FLAT
22. AERATOR



#### MAINTENANCE AND CARE:

- All surfaces should be cleaned with mild liquid detergent or soap and water.
- Do not use cream cleaners or citrus based cleaning products, as they are abrasive.
- Use of unsuitable cleaning agents may damage the surface. Any damage caused in this way will not be covered by warranty.

#### PACKAGING INCLUDES

- 1 x Mixer
- 1 x Dress ring
- 1 x 450mm braided flexible cold hose
- 1 x 450mm braided flexible hot hose
- 1 x Installation kit
- 1 x Installation instructions
- 1 x Warranty card

PLEASE [CLICK HERE](#) TO VIEW FULL WARRANTY

While we aim to ensure the specifications shown are correct at time of printing, Phoenix Tapware reserves the right to make modifications without prior notice. Always use the physical product measurements for mark-ups and roughing-in as the line drawing shown may differ from the actual product over time. All measurements are shown in millimetres.

Argo is a Registered Trademark of Phoenix Industries Pty. Ltd.

V030417

[www.phoenixtapware.com.au](http://www.phoenixtapware.com.au)  
03 9780 4200