



PHOENIX

SPECIFICATIONS

ARGO

WALL BASIN OUTLET 220MM

PRODUCT CODE: AG775 CHR
 FINISH: CHROME
 WELS: 5 STAR - 5.0 LT/MIN

INFORMATION:

TEMPERATURE RATING: MIN 1° - MAX 75°
 PRESSURE RATING: MIN 150 kPa - MAX 500 kPa

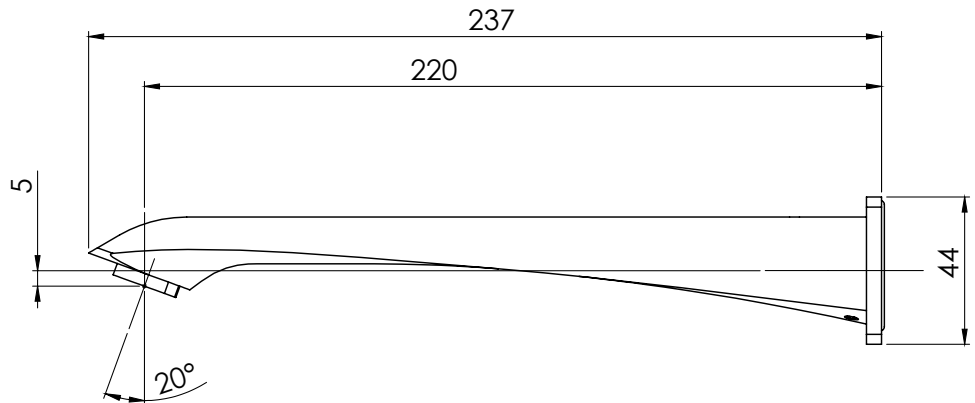
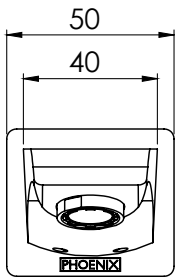


AVAILABLE IN:



CHROME

FOR MORE INFORMATION VISIT
www.phoenixtapware.com.au



PLEASE [CLICK HERE](#) TO VIEW FULL WARRANTY

While we aim to ensure the specifications shown are correct at time of printing, Phoenix Tapware reserves the right to make modifications without prior notice. Always use the physical product measurements for mark-ups and roughing-in as the line drawing shown may differ from the actual product over time. All measurements are shown in millimetres.

ARGO is a Registered Trademark of Phoenix Industries Pty. Ltd.

V211216

www.phoenixtapware.com.au
03 9780 4200



PHOENIX

SPECIFICATIONS

ARGO

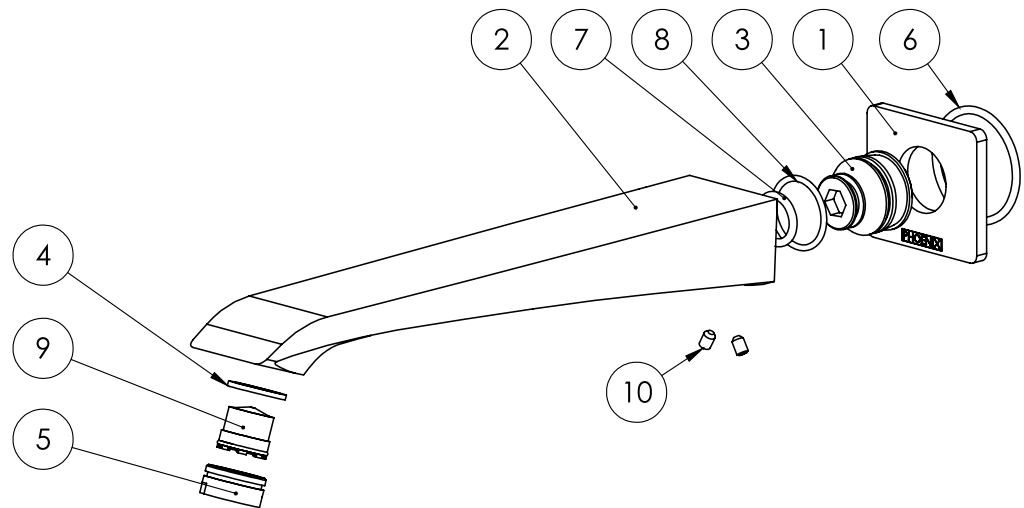
WALL BASIN OUTLET 220MM

PRODUCT CODE: AG775 CHR
FINISH: CHROME
WELS: 5 STAR - 5.0 LT/MIN



PARTS LIST

1. BACKPLATE
2. SPOUT 220MM
3. G1/2" SPOUT ADAPTER
4. AERATOR GASKET
5. AERATOR RETAINER
6. O-RING 34X2.5MM
7. O-RING 13X2.6MM
8. O-RING 21X1.9
9. AERATOR
10. GRUB SCREW M4X6MM



MAINTENANCE AND CARE:

- All surfaces should be cleaned with mild liquid detergent or soap and water.
- Do not use cream cleaners or citrus based cleaning products, as they are abrasive.
- Use of unsuitable cleaning agents may damage the surface. Any damage caused in this way will not be covered by warranty.

PACKAGING INCLUDES

- 1 x Wall basin outlet 220mm
- 1 x Dress plate
- 1 x Installation kit
- 1 x Installation instructions
- 1 x Warranty card

PLEASE [CLICK HERE](#) TO VIEW FULL WARRANTY

While we aim to ensure the specifications shown are correct at time of printing, Phoenix Tapware reserves the right to make modifications without prior notice. Always use the physical product measurements for mark-ups and roughing-in as the line drawing shown may differ from the actual product over time. All measurements are shown in millimetres.

ARGO is a Registered Trademark of Phoenix Industries Pty. Ltd.

V211216

www.phoenixtapware.com.au
03 9780 4200