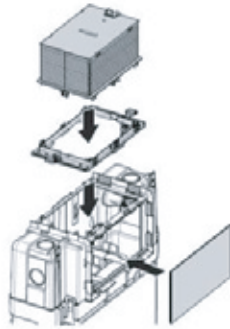




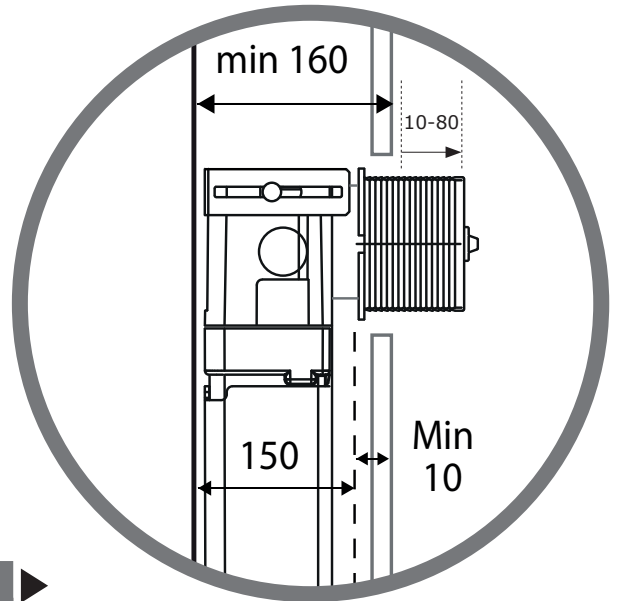
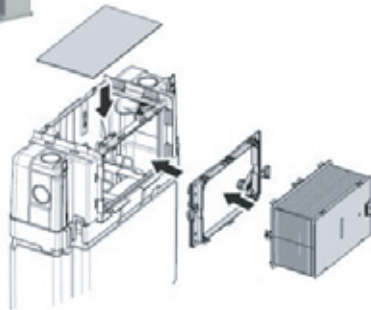
Top Access



Minimum of 160 mm from rear of cistern to front edge of finished wall surface

Min. projection of 10mm - Max. projection of 80mm of tile flange box required prior to trimming to accommodate actuator.

Front Access



Expert Evo

LOW LEVEL/UNDER BENCH CISTERN + FRAME

CODE

721 706
(if used with pneumatic actuators)

721 706/MC
(if used with mechanical actuators)

WEIGHT

12 kg

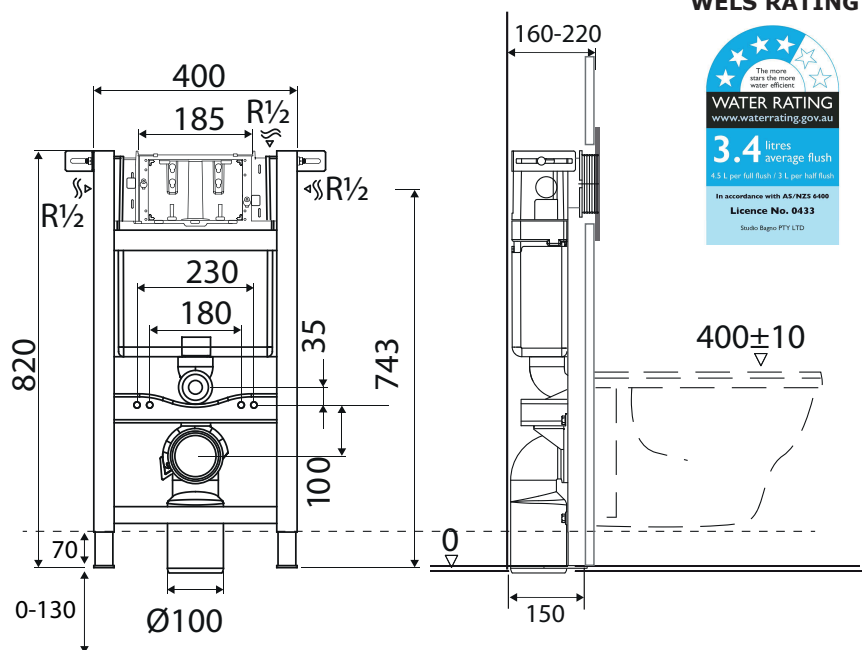
FEATURES

- Dual flush under bench cistern with 4.5/3 litre flush
- Min 150 mm cavity required for installation
- Top or front activation/access
- Supplied with anti-condensation lining
- Brackets for in-wall fixing
- Dust/Tiling protection box
- Protection sponge provided for flush pipe
- Kee seal and pan collar adaptor provided
- 1/2" Flexible hose connection with stop cock
- 10 Year Warranty
- Manufactured in Europe
- Pneumatic actuator included

NOTE

See next page for compatible actuators

Cavity & wall thickness to be a minimum of 10mm



WELS RATING



COMPATIBLE ACTUATORS

Expert Evo

LOW LEVEL/UNDER BENCH
CISTERN + FRAME

Cistern Code by Actuator



I-PLATE

INO-X 01

INO-X 02

INO-X 03

INO-X 04

INO-X 05

INO-X 06

721 706/MC

Not Compatible

Not Compatible

Not Compatible

Not Compatible

Not Compatible

Not Compatible



SLIM

SALINA

TREND

TREND MINI

SPHERA +

SPHERA -

KARISMA

721 706/MC

721 706

721 706

721 706

721 706

721 706

721 706