



PHOENIX

SPECIFICATIONS

GLOSS

SHOWER / BATH DIVERTER MIXER

PRODUCT CODE: GS791 CHR
 FINISH: CHROME
 WELS: N/A

INFORMATION:

MATERIAL: BRASS
 TEMPERATURE RATING: MIN 1° - MAX 75°
 PRESSURE RATING: MIN 150 kPa - MAX 500 kPa

CONSUMER UNIT:

SIZE: L 220MM x W 140MM x H 70MM
 GROSS WEIGHT: 2 KG
 BARCODE EAN-13: 9 320594 012 946

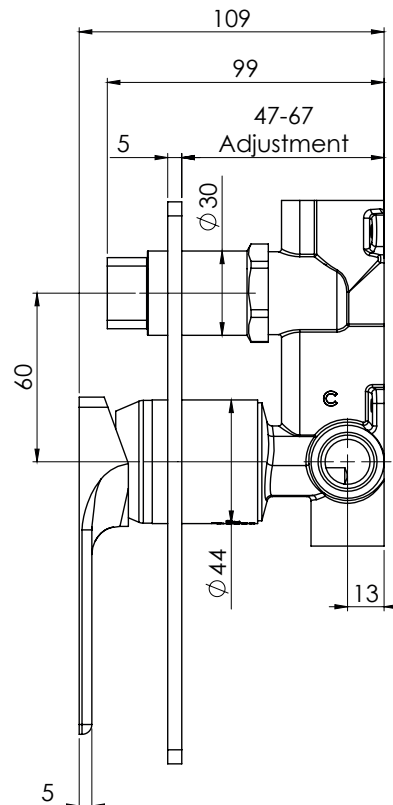
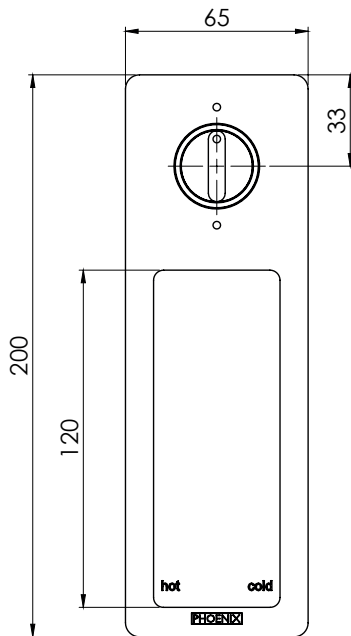


AVAILABLE IN:



CHROME

FOR MORE INFORMATION VISIT
www.phoenixtapware.com.au



PLEASE [CLICK HERE TO VIEW FULL WARRANTY](#)

While we aim to ensure the specifications shown are correct at time of printing, Phoenix Tapware reserves the right to make modifications without prior notice. Always use the physical product measurements for mark-ups and roughing-in as the line drawing shown may differ from the actual product over time. All measurements are shown in millimetres.

Gloss is a Registered Trademark of Phoenix Industries Pty. Ltd.

V140616

www.phoenixtapware.com.au
03 9780 4200



PHOENIX

SPECIFICATIONS

GLOSS

SHOWER / BATH DIVERTER MIXER

PRODUCT CODE:

GS791 CHR

FINISH:

CHROME

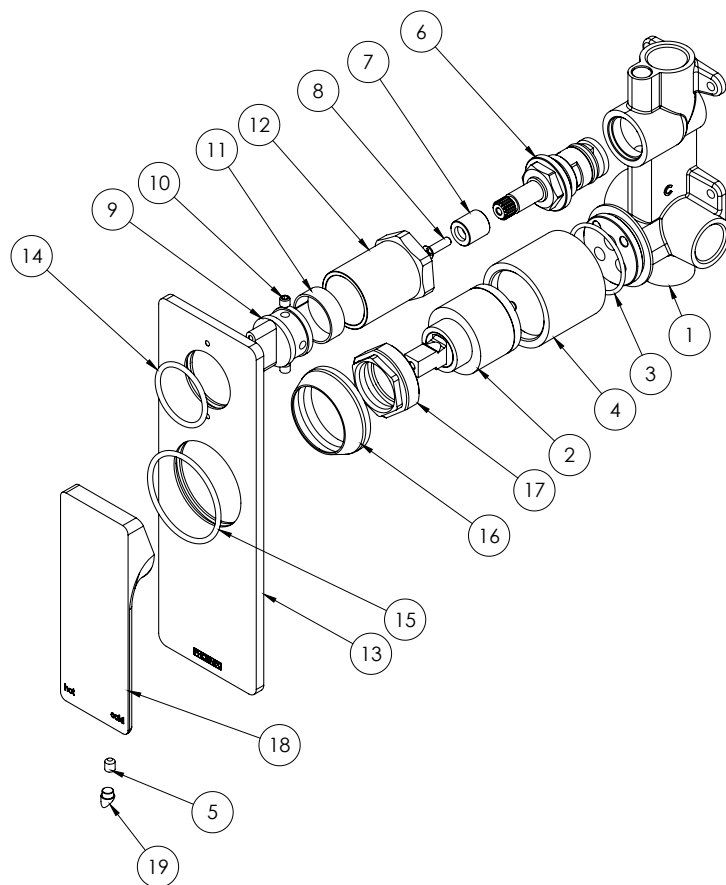
WELS:

N/A



PARTS LIST

1. DIVERTER MIXER BODY
2. 35MM CARTRIDGE
3. O-RING 33X2.0MM
4. MIXER SLEEVE
5. GRUB SCREW M5X6
6. BRASS DIVERTER CARTRIDGE
7. ROTARY DIVERTER SPINDLE ADAPTER
8. SCREW
9. ROTARY DIVERTER BUTTON
10. GRUB SCREW M5X5
11. NYLON BEARING
12. ROTARY DIVERTER SLEEVE
13. BACK PLATE
14. O-RING 29X2.5MM
15. O-RING 43X2.5MM
16. MIXER DOME
17. LOCK NUT M37X1.5MM
18. MIXER HANDLE
19. RUBBER SCREW CAP



MAINTENANCE AND CARE:

- All surfaces should be cleaned with mild liquid detergent or soap and water.
- Do not use cream cleaners or citrus based cleaning products, as they are abrasive.
- Use of unsuitable cleaning agents may damage the surface. Any damage caused in this way will not be covered by warranty.

PACKAGING INCLUDES

- 1 x Shower/ bath diverter mixer
- 1 x Installation kit
- 1 x Installation instructions
- 1 x Warranty card

PLEASE [CLICK HERE](#) TO VIEW FULL WARRANTY

While we aim to ensure the specifications shown are correct at time of printing, Phoenix Tapware reserves the right to make modifications without prior notice. Always use the physical product measurements for mark-ups and roughing-in as the line drawing shown may differ from the actual product over time. All measurements are shown in millimetres.

Gloss is a Registered Trademark of Phoenix Industries Pty. Ltd.

VI40616

www.phoenixtapware.com.au
03 9780 4200