



PHOENIX

SPECIFICATIONS

NOSTALGIA

SHOWER / WALL MIXER

PRODUCT CODE: NS780 CHR
 FINISH: CHROME
 WELS: N/A

INFORMATION:

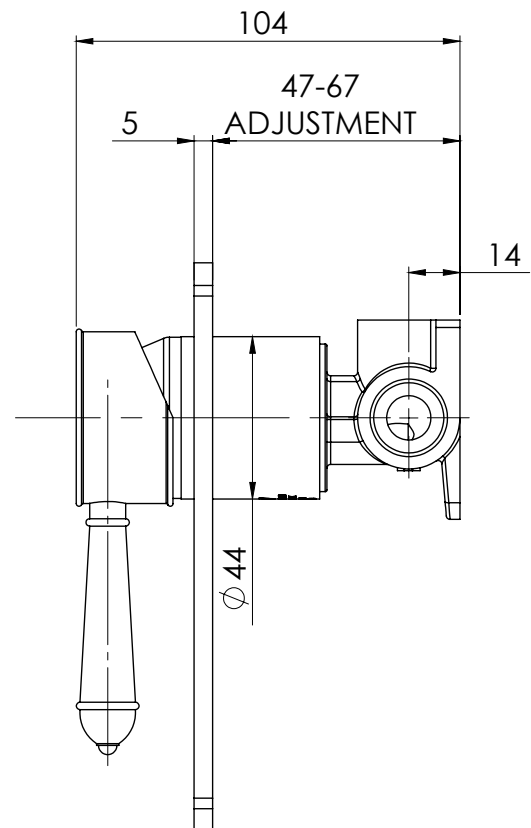
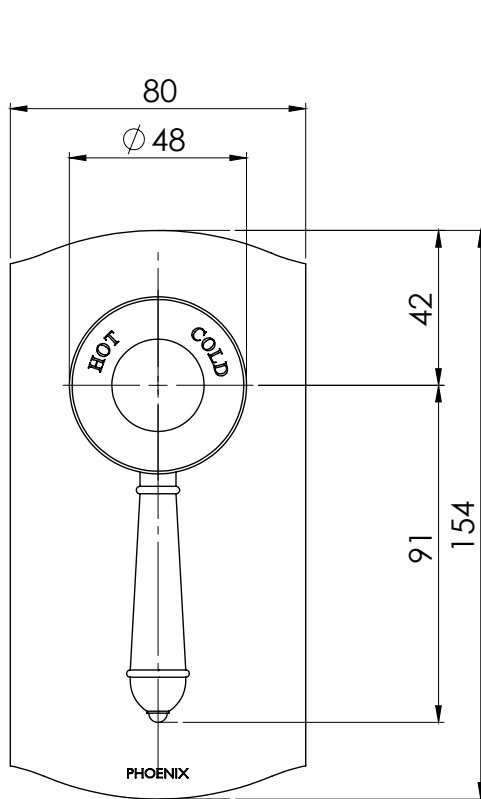
TEMPERATURE RATING: MIN 1° - MAX 75°
 PRESSURE RATING: MIN 150 kPa - MAX 500 kPa



AVAILABLE IN:



FOR MORE INFORMATION VISIT
www.phoenixtapware.com.au



PLEASE [CLICK HERE TO VIEW FULL WARRANTY](#)

While we aim to ensure the specifications shown are correct at time of printing, Phoenix Tapware reserves the right to make modifications without prior notice. Always use the physical product measurements for mark-ups and roughing-in as the line drawing shown may differ from the actual product over time. All measurements are shown in millimetres.

Nostalgia is a Registered Trademark of Phoenix Industries Pty. Ltd.

V050518

www.phoenixtapware.com.au
 03 9780 4200



PHOENIX

SPECIFICATIONS

NOSTALGIA

SHOWER / WALL MIXER

PRODUCT CODE:

NS780 CHR

FINISH:

CHROME

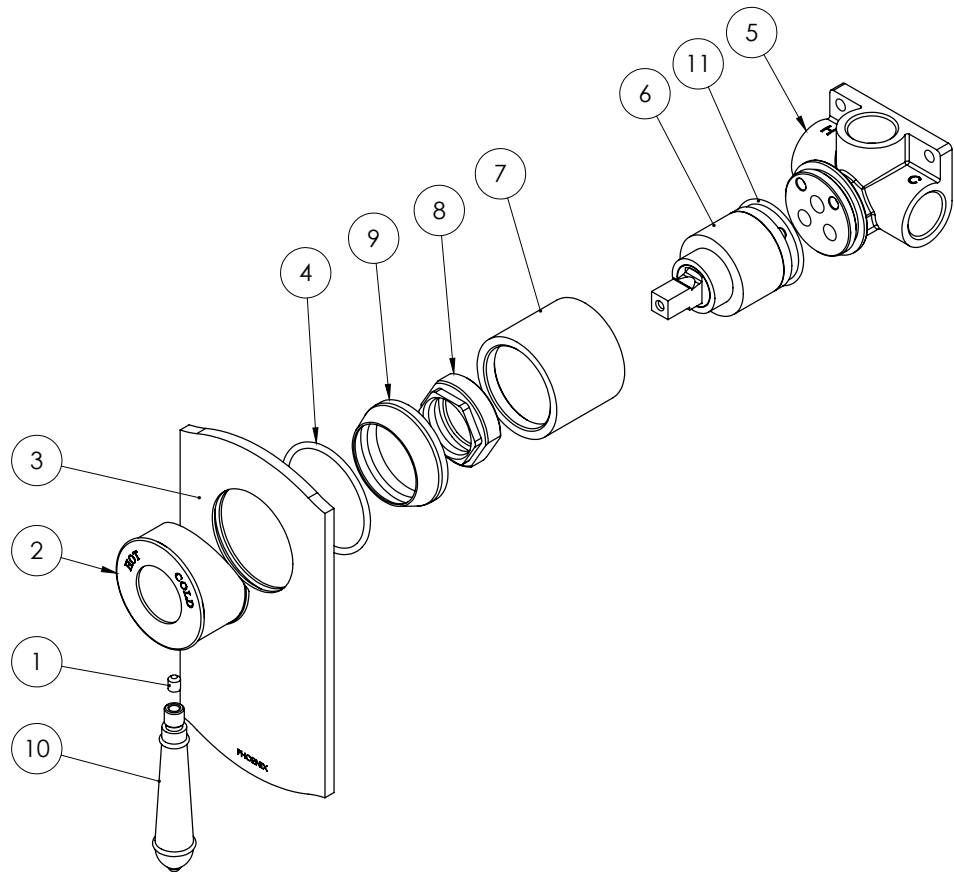
WELS:

N/A



PARTS LIST

1. GRUB SCREW M5X6
2. HANDLE
3. DRESS PLATE
4. O-RING 43X2.5MM
5. WALL MIXER BODY
6. 35MM CARTRIDGE
7. MIXER SLEEVE
8. LOCKNUT
9. MIXER DOME
10. HANDLE
11. O-RING 33X2.0MM



MAINTENANCE AND CARE:

- All surfaces should be cleaned with mild liquid detergent or soap and water.
- Do not use cream cleaners or citrus based cleaning products, as they are abrasive.
- Use of unsuitable cleaning agents may damage the surface. Any damage caused in this way will not be covered by warranty.

PACKAGING INCLUDES

- 1 x Shower mixer
- 1 x Wall mixer handle
- 1 x Dress plate
- 1 x Installation kit
- 1 x Installation instructions
- 1 x Warranty card

PLEASE [CLICK HERE TO VIEW FULL WARRANTY](#)

While we aim to ensure the specifications shown are correct at time of printing, Phoenix Tapware reserves the right to make modifications without prior notice. Always use the physical product measurements for mark-ups and roughing-in as the line drawing shown may differ from the actual product over time. All measurements are shown in millimetres.

Nostalgia is a Registered Trademark of Phoenix Industries Pty. Ltd.

V050518

www.phoenixtapware.com.au
03 9780 4200