



PHOENIX

SPECIFICATIONS

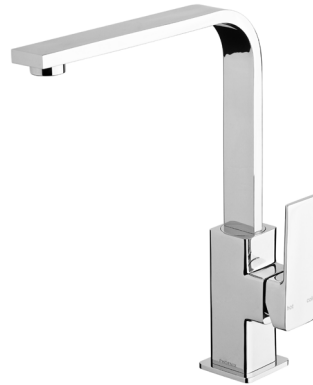
RADII

SINK MIXER 240MM

PRODUCT CODE: RA730 CHR
 FINISH: CHROME
 WELS: 5 STAR - 6.0 LT/MIN

INFORMATION:

TEMPERATURE RATING: MIN 1° - MAX 75°
 PRESSURE RATING: MIN 150 kPa - MAX 500 kPa

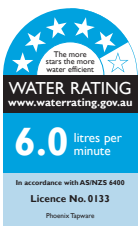
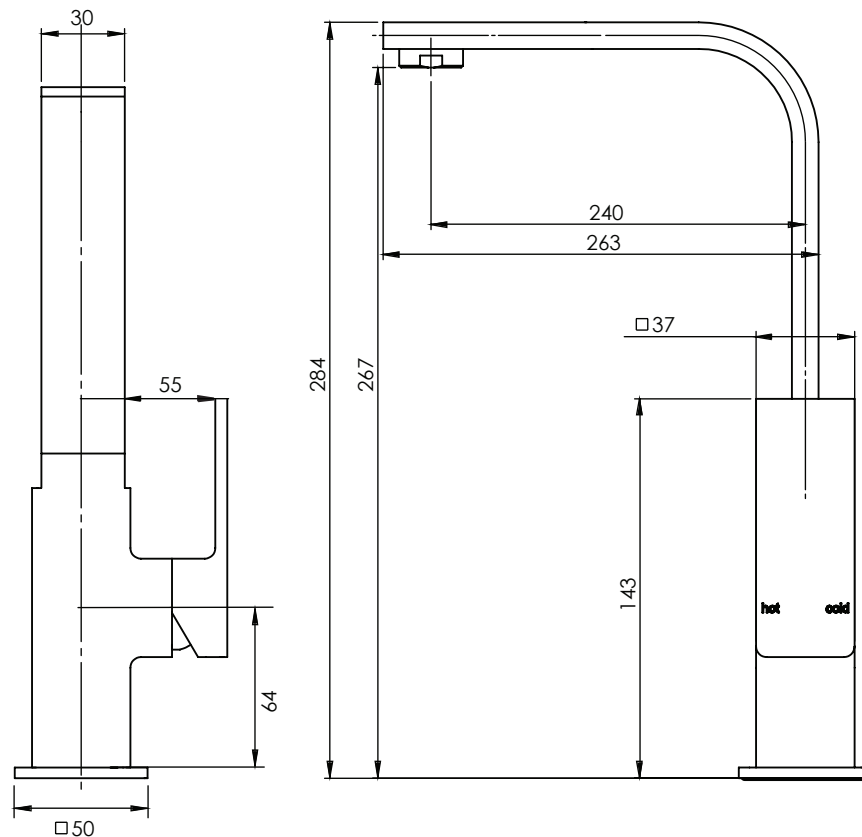


AVAILABLE IN:



CHROME

FOR MORE INFORMATION VISIT
www.phoenixtapware.com.au



PLEASE [CLICK HERE TO VIEW FULL WARRANTY](#)

While we aim to ensure the specifications shown are correct at time of printing, Phoenix Tapware reserves the right to make modifications without prior notice. Always use the physical product measurements for mark-ups and roughing-in as the line drawing shown may differ from the actual product over time. All measurements are shown in millimetres.

www.phoenixtapware.com.au
03 9780 4200



PHOENIX

SPECIFICATIONS

RADII

SINK MIXER 240MM

PRODUCT CODE:

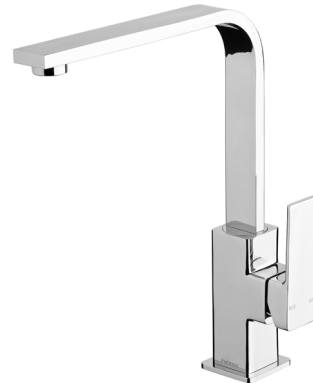
RA730 CHR

FINISH:

CHROME

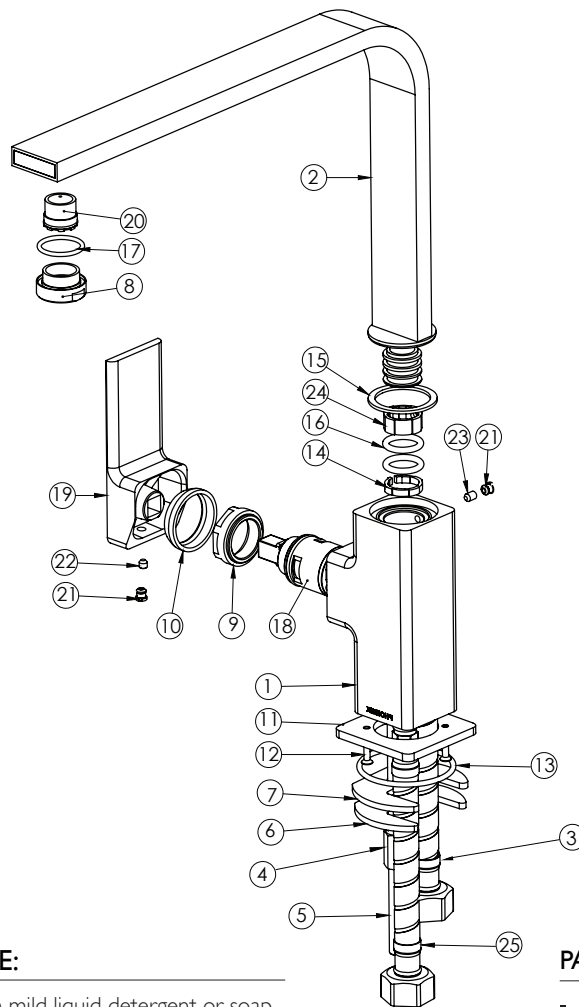
WELS:

5 STAR - 6.0 LT/MIN



PARTS LIST

1. MIXER BODY
2. MIXER SPOUT
3. FLEXIBLE HOSE 450MM HOT
4. M8 NUT
5. M8 THREADED ROD
6. FIXING PLATE
7. FIXING PLATE RUBBER
8. RETAINER
9. LOCKNUT
10. DOME
11. DRESS PLATE
12. M3X10 SCREW
13. O-RING 43X2.5MM
14. BEARING
15. NYLON RING
16. O-RING 14X2.95MM
17. O-RING 19X2.0MM
18. 25MM CARTRIDGE
19. MIXER HANDLE
20. AERATOR
21. SCREW CAP
22. GRUB SCREW M4X4
23. GRUB SCREW M4X6
24. SPOUT BEARING
25. FLEXIBLE HOSE 450MM COLD



MAINTENANCE AND CARE:

- All surfaces should be cleaned with mild liquid detergent or soap and water.
- Do not use cream cleaners or citrus based cleaning products, as they are abrasive.
- Use of unsuitable cleaning agents may damage the surface. Any damage caused in this way will not be covered by warranty.

PACKAGING INCLUDES

- 1 x Sink mixer
- 1 x Installation kit
- 1 x 450mm braided flexible cold hose
- 1 x 450mm braided flexible hot hose
- 1 x Installation instructions
- 1 x Warranty card

PLEASE [CLICK HERE](#) TO VIEW FULL WARRANTY

While we aim to ensure the specifications shown are correct at time of printing, Phoenix Tapware reserves the right to make modifications without prior notice. Always use the physical product measurements for mark-ups and roughing-in as the line drawing shown may differ from the actual product over time. All measurements are shown in millimetres.

www.phoenixtapware.com.au
03 9780 4200