



PHOENIX

SPECIFICATIONS

RADII

DOUBLE TOILET ROLL HOLDER SQUARE PLATE

PRODUCT CODE: RS891 CHR
 FINISH: CHROME
 WELS: N/A



MAINTENANCE AND CARE:

- All surfaces should be cleaned with mild liquid detergent or soap and water.
- Do not use cream cleaners or citrus based cleaning products, as they are abrasive.
- Use of unsuitable cleaning agents may damage the surface. Any damage caused in this way will not be covered by warranty.

PACKAGING INCLUDES

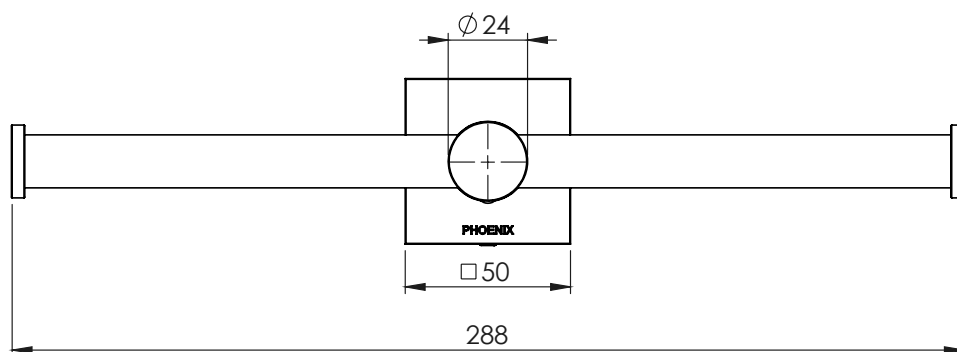
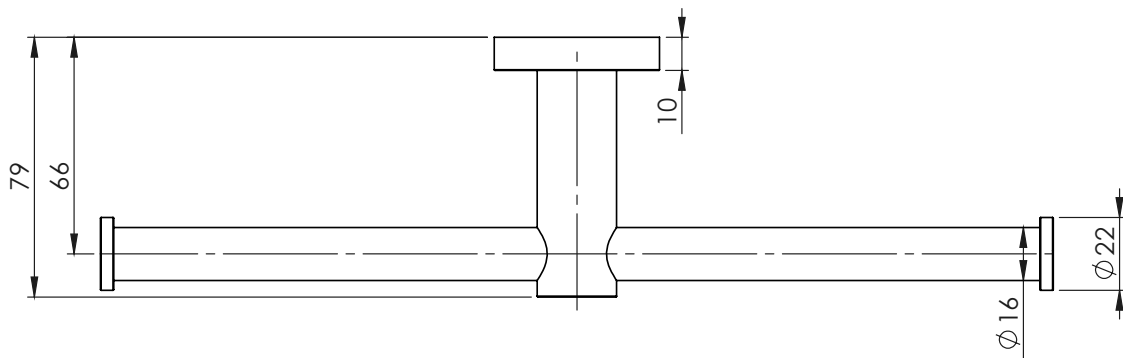
- 1 x Toilet roll holder
- 1 x Installation kit
- 1 x Installation instructions
- 1 x Warranty card

AVAILABLE IN:



CHROME

FOR MORE INFORMATION VISIT
www.phoenixtapware.com.au



PLEASE [CLICK HERE](#) TO VIEW FULL WARRANTY

While we aim to ensure the specifications shown are correct at time of printing, Phoenix Tapware reserves the right to make modifications without prior notice. Always use the physical product measurements for mark-ups and roughing-in as the line drawing shown may differ from the actual product over time. All measurements are shown in millimetres.

Radii is a Registered Trademark of Phoenix Industries Pty. Ltd.

VI80817

www.phoenixtapware.com.au
03 9780 4200