



# PHOENIX

## SPECIFICATIONS

### VIVID

### PREMIUM PULL OUT SINK MIXER

PRODUCT CODE: V717 CHR  
 FINISH: CHROME  
 WELS: 4 STAR - 7.5 LT/MIN

#### INFORMATION:

MATERIAL: BRASS  
 TEMPERATURE RATING: MIN 1° - MAX 75°  
 PRESSURE RATING: MIN 150 kPa - MAX 500 kPa

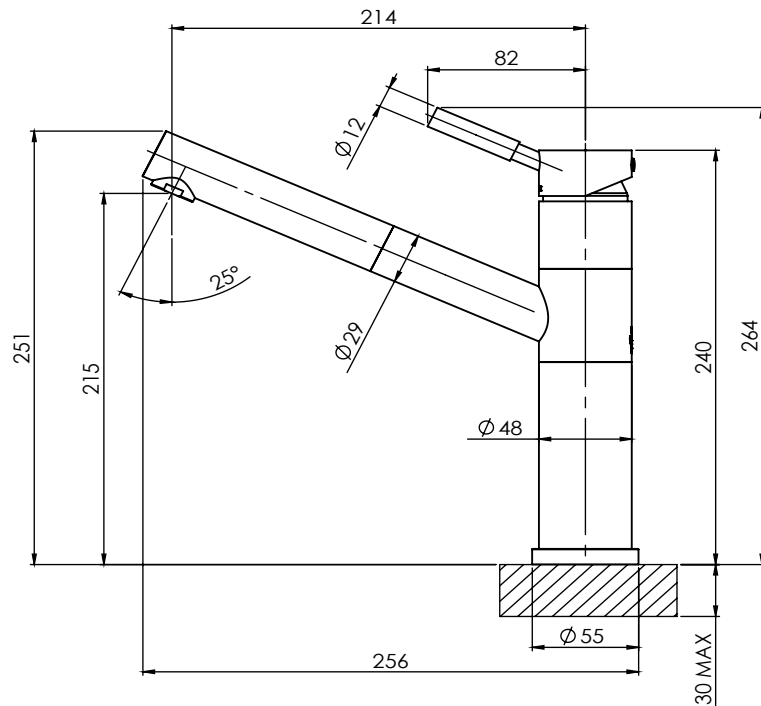
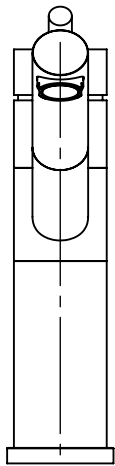


AVAILABLE IN:



CHROME

FOR MORE INFORMATION VISIT  
[www.phoenixtapware.com.au](http://www.phoenixtapware.com.au)



PLEASE [CLICK HERE TO VIEW FULL WARRANTY](#)

While we aim to ensure the specifications shown are correct at time of printing, Phoenix Tapware reserves the right to make modifications without prior notice. Always use the physical product measurements for mark-ups and roughing-in as the line drawing shown may differ from the actual product over time. All measurements are shown in millimetres.

[www.phoenixtapware.com.au](http://www.phoenixtapware.com.au)  
03 9780 4200



# PHOENIX

## SPECIFICATIONS

**VIVID**

### PREMIUM PULL OUT SINK MIXER

PRODUCT CODE:

V717 CHR

FINISH:

CHROME

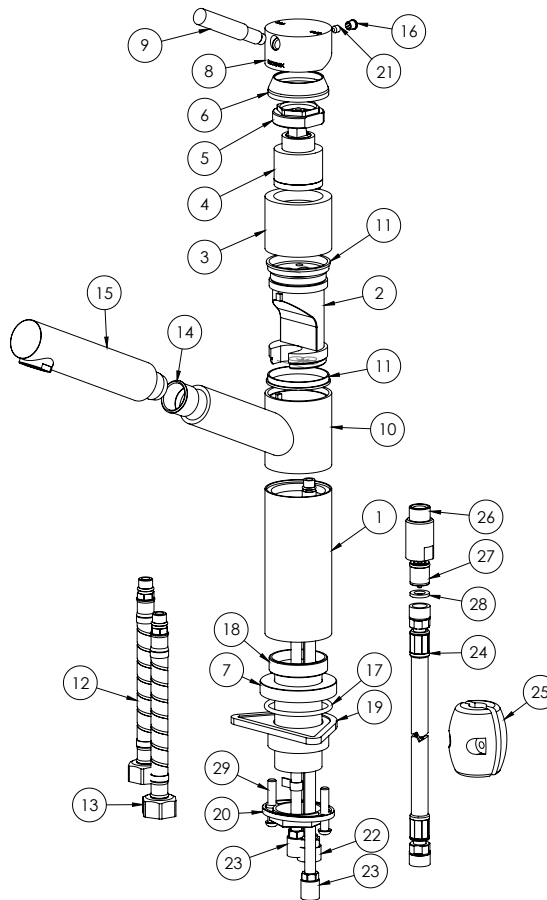
WELS:

4 STAR - 7.5 LT/MIN



#### PARTS LIST

1. MIXER BASE
2. MIXER BODY
3. CARTRIDGE BASE
4. 35MM CARTRIDGE
5. MIXER LOCKNUT M37X1.5MM
6. MIXER DOME
7. DRESS PLATE
8. MIXER HANDLE
9. PIN LEVER
10. SPOUT BODY
11. SPOUT BEARING
12. FLEXIBLE HOSE 450MM HOT
13. FLEXIBLE HOSE 450MM COLD
14. SPOUT NOZZLE INSERT
15. SPRAY HEAD
16. SCREW CAP
17. O-RING 43X3MM
18. MIXER TAIL
19. SWIVEL SPACER
20. LOCKNUT
21. GRUB SCREW M5X5MM
22. HOSE EXTENSION
23. HOSE EXTENSION
24. DOUBLE ENDED SWIVEL HOSE
25. COUNTER WEIGHT
26. CHECK VALVE ADAPTER
27. AERATOR
28. SWIVEL HOSE WASHER
29. PHILLIPS SCREW PAN HEAD



#### MAINTENANCE AND CARE:

- All surfaces should be cleaned with mild liquid detergent or soap and water.
- Do not use cream cleaners or citrus based cleaning products, as they are abrasive.
- Use of unsuitable cleaning agents may damage the surface. Any damage caused in this way will not be covered by warranty.

#### PACKAGING INCLUDES

- 1 x Premium pull out sink mixer
- 1 x Installation kit
- 1 x 450mm braided flexible cold hose
- 1 x 450mm braided flexible hot hose
- 1 x Installation instructions
- 1 x Warranty card

PLEASE [CLICK HERE](#) TO VIEW FULL WARRANTY

While we aim to ensure the specifications shown are correct at time of printing, Phoenix Tapware reserves the right to make modifications without prior notice. Always use the physical product measurements for mark-ups and roughing-in as the line drawing shown may differ from the actual product over time. All measurements are shown in millimetres.

[www.phoenixtapware.com.au](http://www.phoenixtapware.com.au)  
03 9780 4200