



PHOENIX

SPECIFICATIONS

ARGO

WALL BATH MIXER SET 180MM



PRODUCT CODE: AG783 CHR
 FINISH: CHROME
 WELS: N/A

INFORMATION:

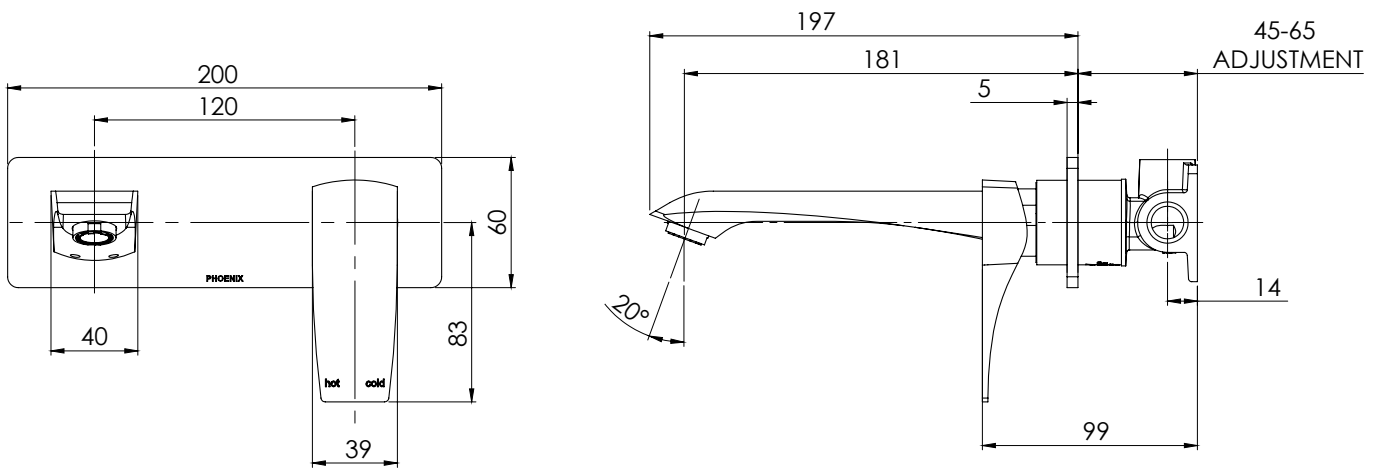
TEMPERATURE RATING: MIN 1° - MAX 75°
 PRESSURE RATING: MIN 150 kPa - MAX 500 kPa

AVAILABLE IN:



CHROME

FOR MORE INFORMATION VISIT
www.phoenixtapware.com.au



PLEASE [CLICK HERE](#) TO VIEW FULL WARRANTY

While we aim to ensure the specifications shown are correct at time of printing, Phoenix Tapware reserves the right to make modifications without prior notice. Always use the physical product measurements for mark-ups and roughing-in as the line drawing shown may differ from the actual product over time. All measurements are shown in millimetres.

ARGO is a Registered Trademark of Phoenix Industries Pty. Ltd.

V211216

www.phoenixtapware.com.au
03 9780 4200



PHOENIX

SPECIFICATIONS

ARGO

WALL BATH MIXER SET 180MM

PRODUCT CODE:

AG783 CHR

FINISH:

CHROME

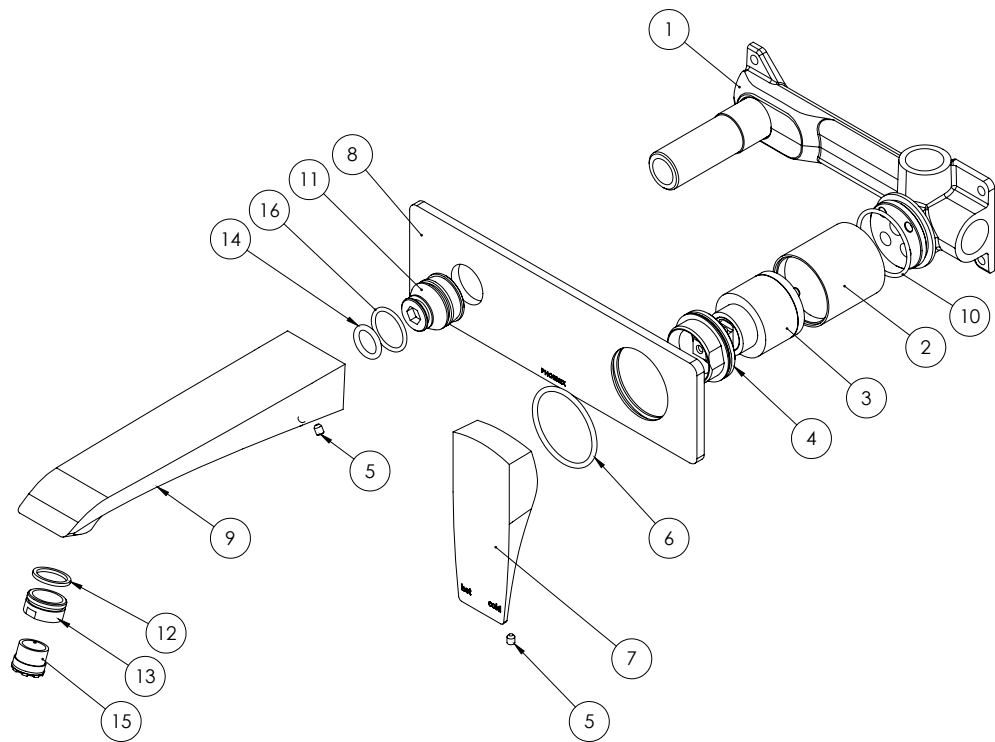
WELS:

N/A



PARTS LIST

1. WALL BREACH
2. MIXER SLEEVE
3. 35MM CARTRIDGE
4. LOCKNUT DOME
5. GRUB SCREW M4X5MM
6. O-RING 39X2.5MM
7. MIXER HANDLE
8. BACKPLATE
9. SPOUT 180MM
10. O-RING 33X2.0MM
11. G1/2" SPOUT ADAPTER
12. AERATOR GASKET
13. AERATOR RETAINER
14. O-RING 13X2.7MM
15. AERATOR MAX FLOW
16. O-RING 20X2MM



MAINTENANCE AND CARE:

- All surfaces should be cleaned with mild liquid detergent or soap and water.
- Do not use cream cleaners or citrus based cleaning products, as they are abrasive.
- Use of unsuitable cleaning agents may damage the surface. Any damage caused in this way will not be covered by warranty.

PACKAGING INCLUDES

- 1 x Wall Bath Set
- 1 x Installation kit
- 1 x Installation instructions
- 1 x Warranty card

PLEASE [CLICK HERE](#) TO VIEW FULL WARRANTY

While we aim to ensure the specifications shown are correct at time of printing, Phoenix Tapware reserves the right to make modifications without prior notice. Always use the physical product measurements for mark-ups and roughing-in as the line drawing shown may differ from the actual product over time. All measurements are shown in millimetres.

ARGO is a Registered Trademark of Phoenix Industries Pty. Ltd.

V211216

www.phoenixtapware.com.au
03 9780 4200