



# PHOENIX

## SPECIFICATIONS

### BLIX

### FLEXIBLE HOSE SINK MIXER ROUND

PRODUCT CODE: I0473100BN  
 FINISH: BRUSHED NICKEL  
 WELS: 5 STAR - 6.0 LT/MIN

#### INFORMATION:

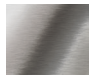
MATERIAL: BRASS  
 TEMPERATURE RATING: MIN 1° - MAX 75°  
 PRESSURE RATING: MIN 150 kPa - MAX 500 kPa

#### CONSUMER UNIT:

SIZE: L 610MM x W 290MM x H 75MM  
 GROSS WEIGHT: 3 KG  
 BARCODE EAN-13: 9 320594 003 951



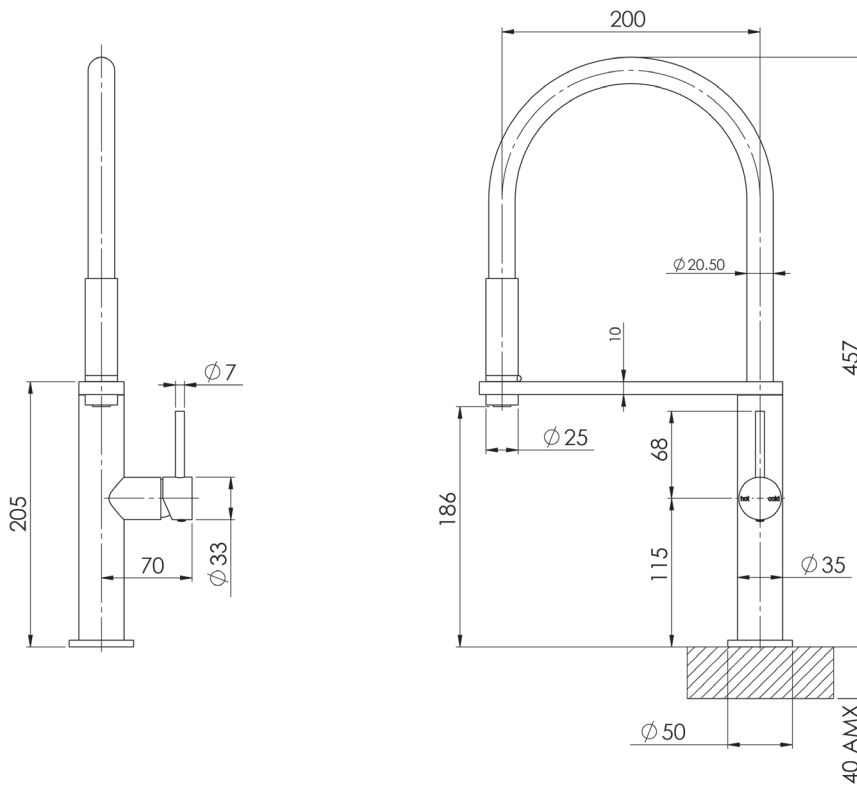
AVAILABLE IN:



CHROME

BRUSHED NICKEL

FOR MORE INFORMATION VISIT [www.phoenixtapware.com.au](http://www.phoenixtapware.com.au)



PLEASE [CLICK HERE TO VIEW FULL WARRANTY](#)

While we aim to ensure the specifications shown are correct at time of printing, Phoenix Tapware reserves the right to make modifications without prior notice. Always use the physical product measurements for mark-ups and roughing-in as the line drawing shown may differ from the actual product over time. All measurements are shown in millimetres.

[www.phoenixtapware.com.au](http://www.phoenixtapware.com.au)  
03 9780 4200



# PHOENIX

## SPECIFICATIONS

### BLIX

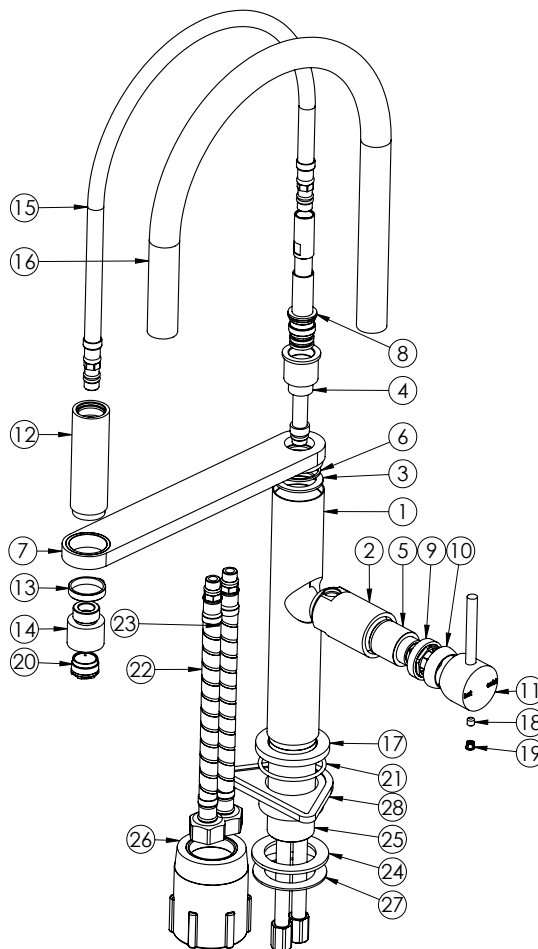
## FLEXIBLE HOSE SINK MIXER ROUND

PRODUCT CODE: I0473100BN  
 FINISH: BRUSHED NICKEL  
 WELS: 5 STAR - 6.0 LT/MIN



### PARTS LIST

1. MIXER BODY
2. CARTRIDGE SEAT
3. BRASS DISC
4. MIXER SHAFT
5. 25MM CARTRIDGE
6. PLASTIC BEARING
7. MIXER HOSE CRADLE
8. BAR RETAINING SHAFT
9. MIXER LOCKNUT
10. MIXER DOME
11. MIXER HANDLE
12. HAND PIECE BODY
13. HAND PIECE RING
14. HAND PIECE NOZZLE
15. HAND PIECE FLEXIBLE HOSE
16. HAND PIECE RUBBER TUBE
17. DRESS PLATE
18. GRUB SCREW M5X5MM
19. SCREW CAP
20. AERATOR
21. O-RING 41X2.5MM
22. FLEXIBLE HOSE 450MM COLD
23. FLEXIBLE HOSE 450MM HOT
24. LOCKNUT GASKET
25. THREADED TAIL
26. PLASTIC LOCKNUT
27. MOUNTING DISK
28. SWIVEL SPACER



### MAINTENANCE AND CARE:

- Chrome plated surfaces should be cleaned with mild liquid detergent or soap and water:
- Do not use cream cleaners or citrus based cleaning products, as they are abrasive.
- Use of unsuitable cleaning agents may damage the surface. Any damage caused in this way will not be covered by warranty.

### PACKAGING INCLUDES

- 1 x Flexible hose sink mixer
- 1 x 450mm braided flexible cold hose
- 1 x 450mm braided flexible hot hose
- 1 x Installation kit
- 1 x Installation instructions
- 1 x Warranty card

PLEASE [CLICK HERE](#) TO VIEW FULL WARRANTY

While we aim to ensure the specifications shown are correct at time of printing, Phoenix Tapware reserves the right to make modifications without prior notice. Always use the physical product measurements for mark-ups and roughing-in as the line drawing shown may differ from the actual product over time. All measurements are shown in millimetres.

Blix is a Registered Trademark of Phoenix Industries Pty. Ltd.

V050716

[www.phoenixtapware.com.au](http://www.phoenixtapware.com.au)  
 03 9780 4200