



PHOENIX

SPECIFICATIONS

ORTHO

SHOWER / WALL MIXER

PRODUCT CODE: 100-7800-00
 FINISH: CHROME
 WELS: N/A

INFORMATION:

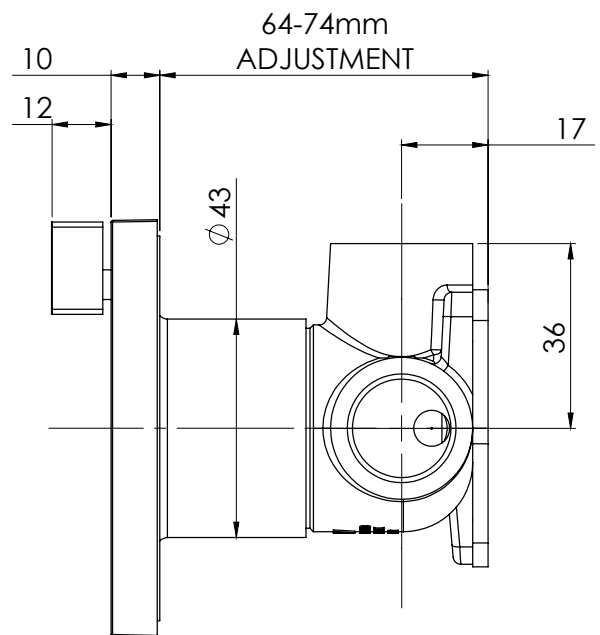
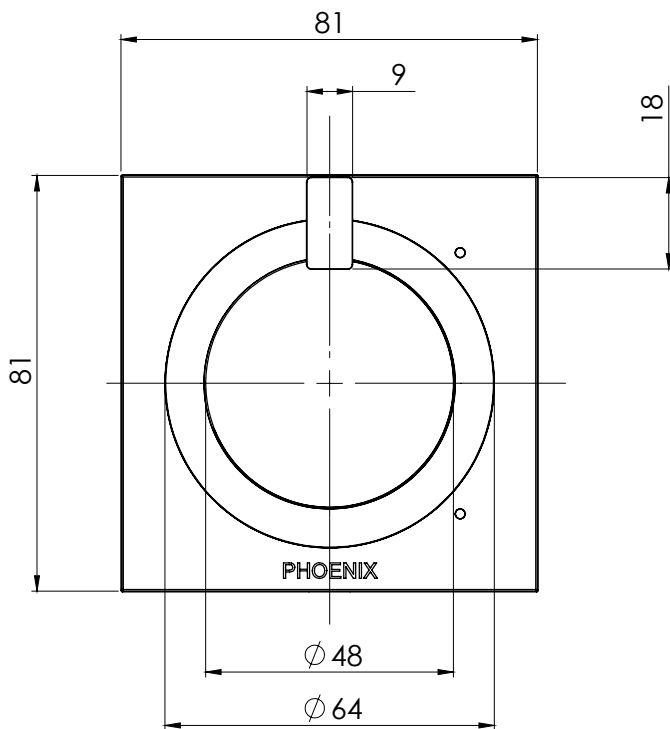
TEMPERATURE RATING: MIN 1° - MAX 75°
 PRESSURE RATING: MIN 150 kPa - MAX 500 kPa



AVAILABLE IN:



FOR MORE INFORMATION VISIT
www.phoenixtapware.com.au



PLEASE [CLICK HERE TO VIEW FULL WARRANTY](#)

While we aim to ensure the specifications shown are correct at time of printing, Phoenix Tapware reserves the right to make modifications without prior notice. Always use the physical product measurements for mark-ups and roughing-in as the line drawing shown may differ from the actual product over time. All measurements are shown in millimetres.

A Registered Design and Trademark of Phoenix Industries Pty. Ltd
V260618

www.phoenixtapware.com.au
03 9780 4200



PHOENIX

SPECIFICATIONS

ORTHO

SHOWER / WALL MIXER

PRODUCT CODE:

100-7800-00

FINISH:

CHROME

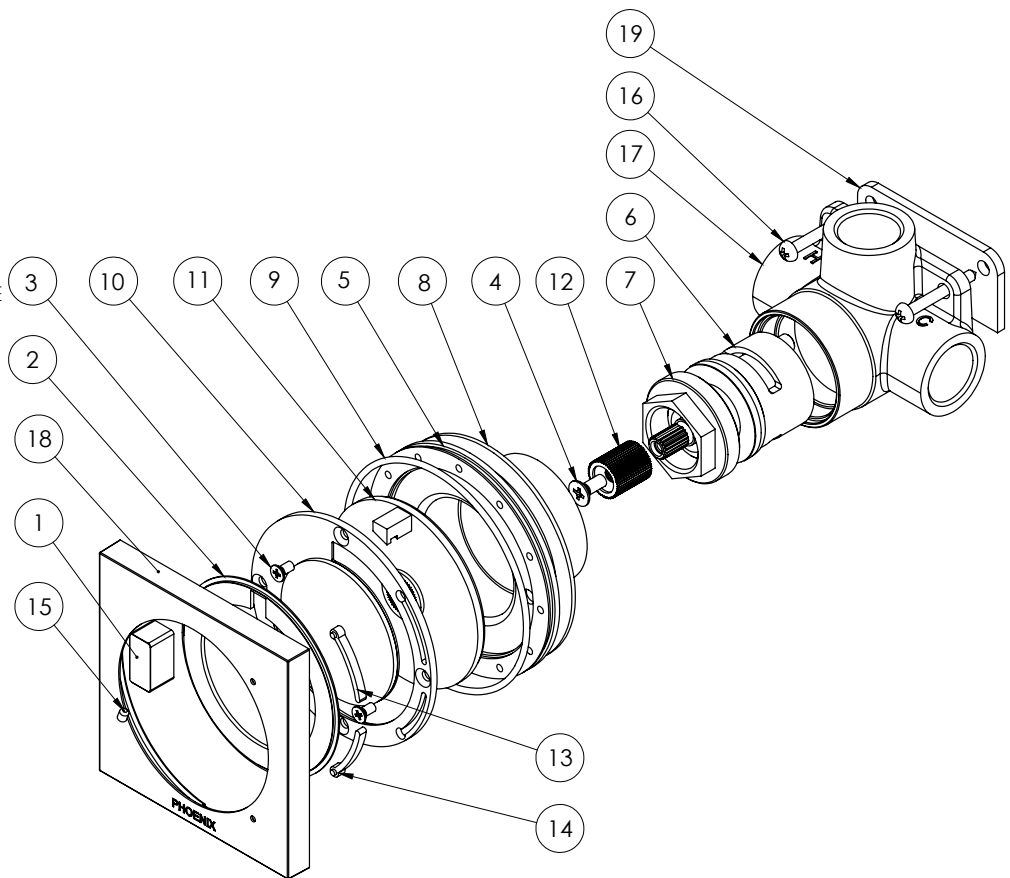
WELS:

N/A



PARTS LIST

1. LEVER HANDLE
2. OUTER RING
3. SCREW M3X6
4. SCREW M4X10
5. ADJUSTMEN FLANGE
6. 33MM PROGRESSIVE CARTRIDGE
7. MIXER LOCKNUT
8. FLANGE GASKET
9. O-RING
10. MOUNTING DISK
11. INNER RING
12. SPLINED CAP
13. INDICATOR BLUE
14. INDICATOR RED
15. GRUB SCREW M3X4
16. SCREW M3.5X30
17. MIXER BODY
18. DRESS PLATE
19. ADJUSTMENT PAD



MAINTENANCE AND CARE:

- All surfaces should be cleaned with mild liquid detergent or soap and water.
- Do not use cream cleaners or citrus based cleaning products, as they are abrasive.
- Use of unsuitable cleaning agents may damage the surface. Any damage caused in this way will not be covered by warranty.

PACKAGING INCLUDES

- 1 x Shower wall mixer
- 1 x Dress plate
- 1 x Extra colour ring
- 1 x Installation kit
- 1 x Installation instructions
- 1 x Warranty card

PLEASE [CLICK HERE](#) TO VIEW FULL WARRANTY

While we aim to ensure the specifications shown are correct at time of printing, Phoenix Tapware reserves the right to make modifications without prior notice. Always use the physical product measurements for mark-ups and roughing-in as the line drawing shown may differ from the actual product over time. All measurements are shown in millimetres.

A Registered Design and Trademark of Phoenix Industries Pty. Ltd
V260618

www.phoenixtapware.com.au
03 9780 4200