

**TOI**

**SHOWER / WALL MIXER**

PRODUCT CODE: 108-7800-72  
 FINISH: MATTE BLACK / BRUSHED ROSE GOLD  
 WELS: N/A

**INFORMATION:**

TEMPERATURE RATING: MIN 1° - MAX 75°  
 PRESSURE RATING: MIN 150 kPa - MAX 500 kPa

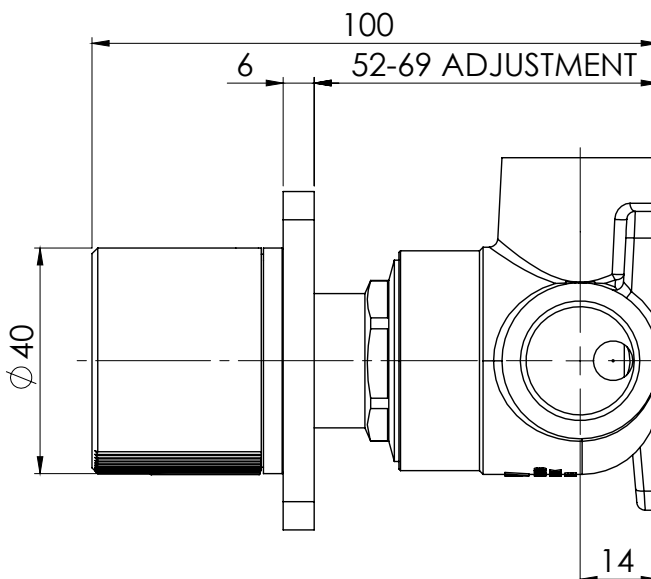
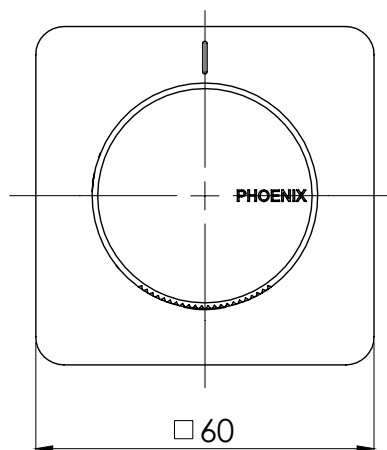


ALSO AVAILABLE IN:



CHROME CHROME  
 / MATTE  
 BLACK

FOR MORE INFORMATION VISIT  
[www.phoenixtapware.com.au](http://www.phoenixtapware.com.au)



PLEASE [CLICK HERE TO VIEW FULL WARRANTY](#)

While we aim to ensure the specifications shown are correct at time of printing, Phoenix Tapware reserves the right to make modifications without prior notice. Always use the physical product measurements for mark-ups and roughing-in as the line drawing shown may differ from the actual product over time. All measurements are shown in millimetres.

Toi is a Registered Trademark of Phoenix Industries Pty. Ltd.

V100717

[www.phoenixtapware.com.au](http://www.phoenixtapware.com.au)  
 03 9780 4200



**TOI**

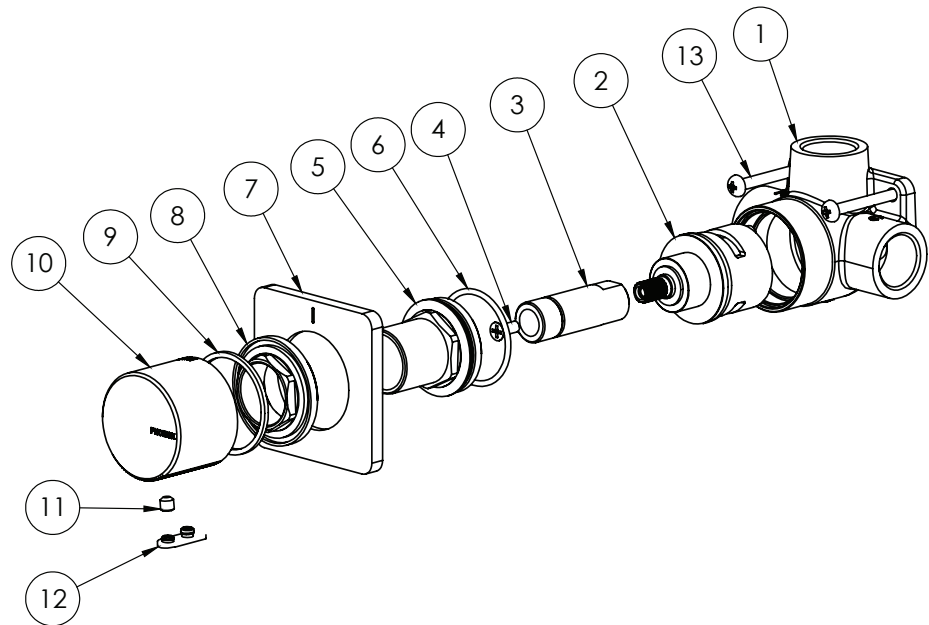
### SHOWER / WALL MIXER

PRODUCT CODE: 108-7800-72  
 FINISH: MATTE BLACK / BRUSHED ROSE GOLD  
 WELS: N/A



#### PARTS LIST

1. WALL MIXER BODY
2. 33MM PROGRESSIVE CARTRIDGE
3. SPINDLE EXTENSION
4. SCREW
5. LOCKNUT
6. O-RING 32X2.0MM
7. DRESS PLATE
8. MIXER LOCKNUT
9. HANDLE WASHER
10. HANDLE
11. GRUB SCREW M5X5
12. GRUB SCREW CAP
13. SCREW



#### MAINTENANCE AND CARE:

- All surfaces should be cleaned with mild liquid detergent or soap and water.
- Do not use cream cleaners or citrus based cleaning products, as they are abrasive.
- Use of unsuitable cleaning agents may damage the surface. Any damage caused in this way will not be covered by warranty.

#### PACKAGING INCLUDES

- 1 x Shower wall mixer
- 1 x Dress plate
- 1 x Handle
- 1 x Locknut & washer
- 1 x Installation kit
- 1 x Installation instructions
- 1 x Warranty card

PLEASE [CLICK HERE TO VIEW FULL WARRANTY](#)

While we aim to ensure the specifications shown are correct at time of printing, Phoenix Tapware reserves the right to make modifications without prior notice. Always use the physical product measurements for mark-ups and roughing-in as the line drawing shown may differ from the actual product over time. All measurements are shown in millimetres.

Toi is a Registered Trademark of Phoenix Industries Pty. Ltd.

V100717

[www.phoenixtapware.com.au](http://www.phoenixtapware.com.au)  
03 9780 4200