



# PHOENIX

## SPECIFICATIONS

### MEKKO

### WALL BASIN OUTLET 200MM

PRODUCT CODE: 115-7610-10  
 FINISH: MATTE BLACK  
 WELS: 4 STAR - 6.5 LT/MIN

#### INFORMATION:

TEMPERATURE RATING: MIN 1° - MAX 75°  
 PRESSURE RATING: MIN 150 kPa - MAX 500 kPa

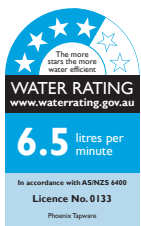
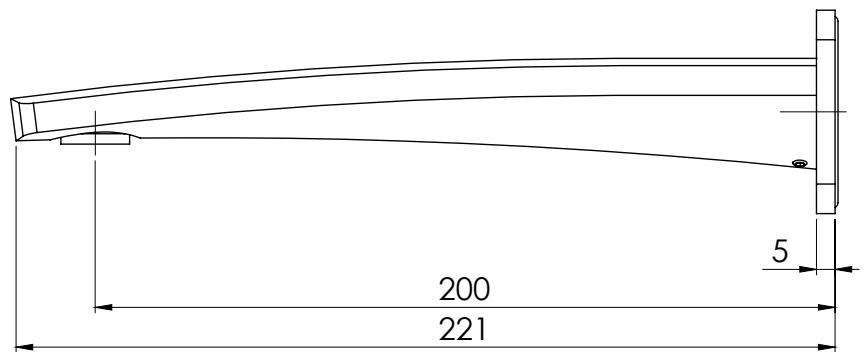
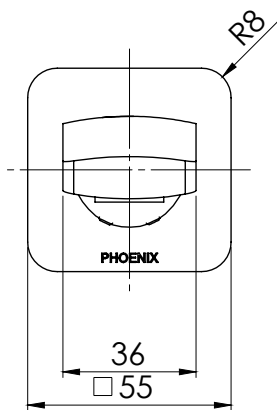


AVAILABLE IN:



CHROME MATTE BLACK

FOR MORE INFORMATION VISIT  
[www.phoenixtapware.com.au](http://www.phoenixtapware.com.au)



PLEASE [CLICK HERE](#) TO VIEW FULL WARRANTY

While we aim to ensure the specifications shown are correct at time of printing, Phoenix Tapware reserves the right to make modifications without prior notice. Always use the physical product measurements for mark-ups and roughing-in as the line drawing shown may differ from the actual product over time. All measurements are shown in millimetres.

Designed and Registered in Australia by Phoenix Industries Pty. Ltd

V160418

[www.phoenixtapware.com.au](http://www.phoenixtapware.com.au)  
03 9780 4200



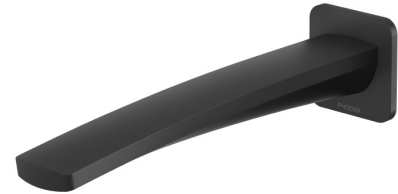
# PHOENIX

SPECIFICATIONS

**MEKKO**

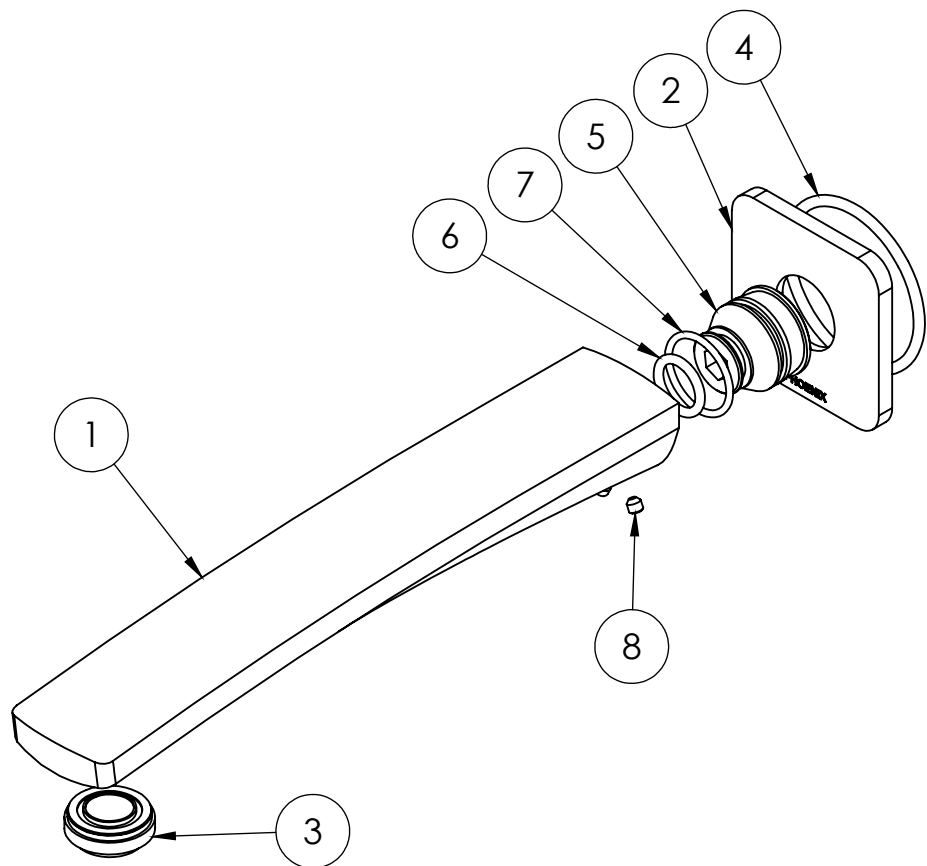
**WALL BASIN OUTLET 200MM**

PRODUCT CODE: 115-7610-10  
FINISH: MATTE BLACK  
WELS: 4 STAR - 6.5 LT/MIN



## PARTS LIST

1. OUTLET
2. DRESS PLATE
3. AERATOR
4. O-RING 46X3.0
5. ADAPTOR
6. O-RING 13X2.6
7. O-RING 21X1.9
8. GRUB SCREW M4



## MAINTENANCE AND CARE:

- All surfaces should be cleaned with mild liquid detergent or soap and water.
- Do not use cream cleaners or citrus based cleaning products, as they are abrasive.
- Use of unsuitable cleaning agents may damage the surface. Any damage caused in this way will not be covered by warranty.

## PACKAGING INCLUDES

- 1 x Spout
- 1 x Dress plate
- 1 x Installation kit
- 1 x Installation instructions
- 1 x Warranty card

PLEASE [CLICK HERE TO VIEW FULL WARRANTY](#)

While we aim to ensure the specifications shown are correct at time of printing, Phoenix Tapware reserves the right to make modifications without prior notice. Always use the physical product measurements for mark-ups and roughing-in as the line drawing shown may differ from the actual product over time. All measurements are shown in millimetres.

Designed and Registered in Australia by Phoenix Industries Pty. Ltd  
VI60418

[www.phoenixtapware.com.au](http://www.phoenixtapware.com.au)  
03 9780 4200