



# PHOENIX

## LEXI

### CEILING ARM 300MM

PRODUCT CODE: LE6091-00  
 FINISH: CHROME  
 WELS: N/A

#### INFORMATION:

TEMPERATURE RATING: MIN 1° - MAX 75°  
 PRESSURE RATING: MIN 150 kPa - MAX 500 kPa

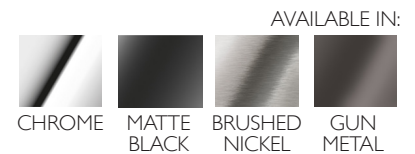
#### MAINTENANCE AND CARE:

- All surfaces should be cleaned with mild liquid detergent or soap and water.
- Do not use cream cleaners or citrus based cleaning products, as they are abrasive.
- Use of unsuitable cleaning agents may damage the surface. Any damage caused in this way will not be covered by warranty.

#### PACKAGING INCLUDES

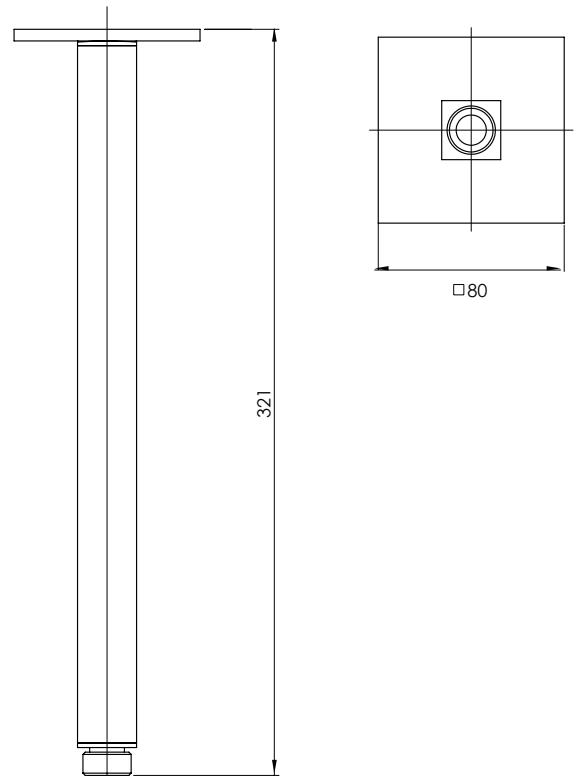
- 1 x Shower arm
- 1 x Dress plate
- 1 x Installation instructions
- 1 x Warranty card

## SPECIFICATIONS



COMING SOON

FOR MORE INFORMATION VISIT [www.phoenixtapware.com.au](http://www.phoenixtapware.com.au)



PLEASE [CLICK HERE](#) TO VIEW FULL WARRANTY

While we aim to ensure the specifications shown are correct at time of printing, Phoenix Tapware reserves the right to make modifications without prior notice. Always use the physical product measurements for mark-ups and roughing-in as the line drawing shown may differ from the actual product over time. All measurements are shown in millimetres.

Lexi is a Registered Trademark of Phoenix Industries Pty. Ltd.

V070318

[www.phoenixtapware.com.au](http://www.phoenixtapware.com.au)  
03 9780 4200