



PHOENIX

SPECIFICATIONS

RUSH

SHOWER/BATH DIVERTER MIXER

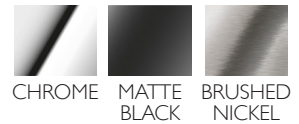
PRODUCT CODE: RU791 MB
 FINISH: MATTE BLACK
 WELS: N/A

INFORMATION:

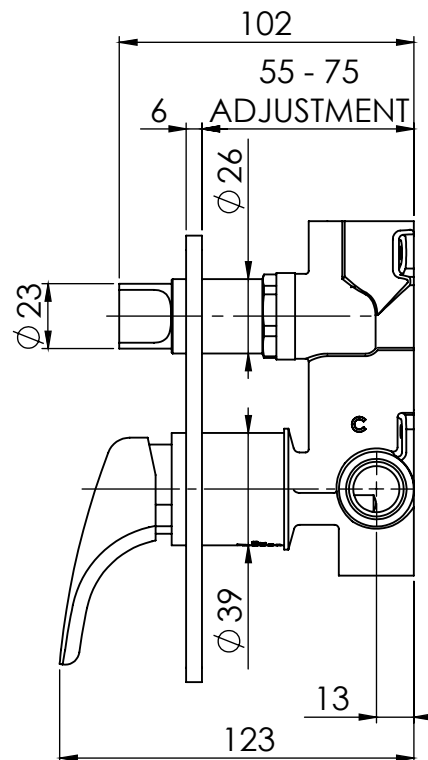
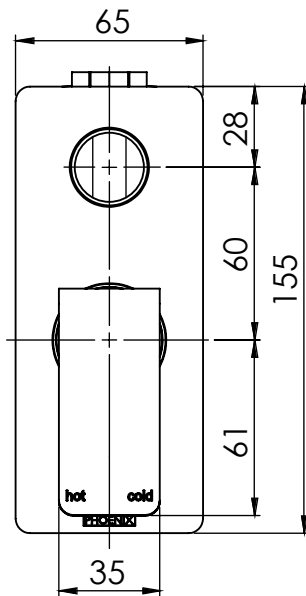
TEMPERATURE RATING: MIN 1° - MAX 75°
 PRESSURE RATING: MIN 150 kPa - MAX 500 kPa



AVAILABLE IN:



FOR MORE INFORMATION VISIT www.phoenixtapware.com.au



PLEASE [CLICK HERE TO VIEW FULL WARRANTY](#)

While we aim to ensure the specifications shown are correct at time of printing, Phoenix Tapware reserves the right to make modifications without prior notice. Always use the physical product measurements for mark-ups and roughing-in as the line drawing shown may differ from the actual product over time. All measurements are shown in millimetres.

www.phoenixtapware.com.au
03 9780 4200



PHOENIX

SPECIFICATIONS

RUSH

SHOWER/BATH DIVERter MIXER

PRODUCT CODE:

RU791 MB

FINISH:

MATTE BLACK

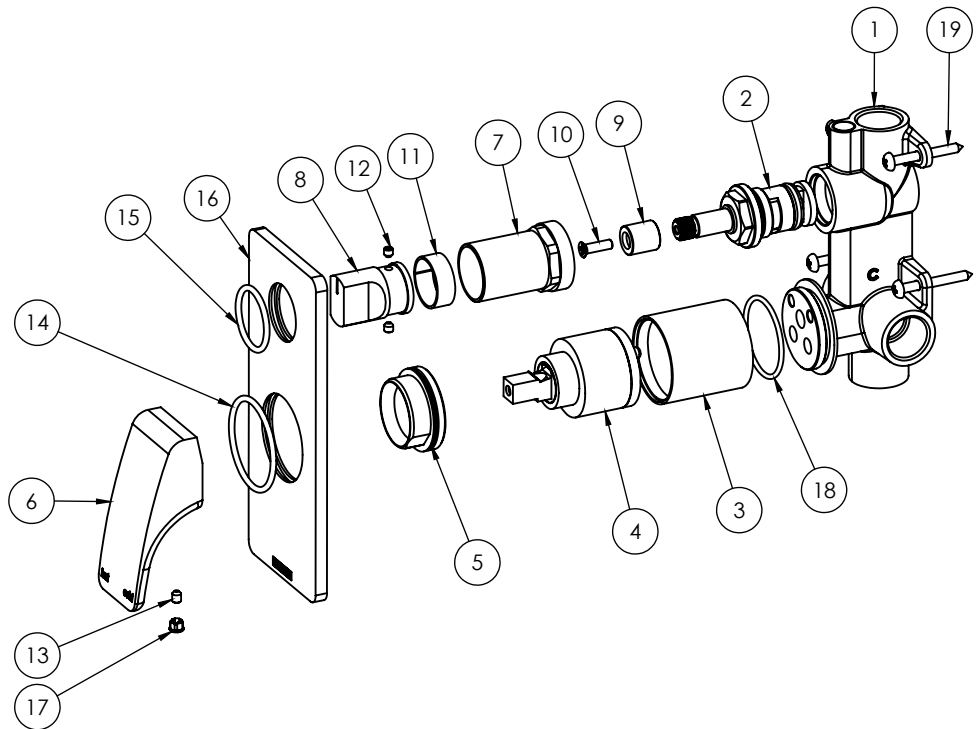
WELS:

N/A



PARTS LIST

1. BREACH
2. BRASS DIVERter CARTRIDGE
3. MIXER SLEEVE
4. 35MM CARTRIDGE
5. LOCKNUT DOME
6. MIXER HANDLE
7. ROTARY DIVERter SLEEVE
8. ROTARY DIVERter BUTTON
9. ROTARY DIVERter SPINDLE ADAPTER
10. SCREW
11. NYLON BEARING
12. GRUB SCREW M4X4MM
13. GRUB SCREW M4X5MM
14. O-RING 38X2.5MM
15. O-RING 25X2.5MM
16. BACKPLATE
17. SCREW CAP
18. O-RING 33X2.0MM
19. SCREW



MAINTENANCE AND CARE:

- All surfaces should be cleaned with mild liquid detergent or soap and water.
- Do not use cream cleaners or citrus based cleaning products, as they are abrasive.
- Use of unsuitable cleaning agents may damage the surface. Any damage caused in this way will not be covered by warranty.

PACKAGING INCLUDES

- 1 x Shower bath diverter mixer
- 1 x Installation kit
- 1 x Installation instructions
- 1 x Warranty card

PLEASE [CLICK HERE TO VIEW FULL WARRANTY](#)

While we aim to ensure the specifications shown are correct at time of printing, Phoenix Tapware reserves the right to make modifications without prior notice. Always use the physical product measurements for mark-ups and roughing-in as the line drawing shown may differ from the actual product over time. All measurements are shown in millimetres.

www.phoenixtapware.com.au
03 9780 4200