



PHOENIX

SPECIFICATIONS

VIVID PIN LEVER

SHOWER SET 15MM EXTENDED SPINDLES

PRODUCT CODE: VPI22 CHR
 FINISH: CHROME
 WELS: 3 STAR - 8.0 LT/MIN

INFORMATION:

TEMPERATURE RATING: MIN 1° - MAX 75°
 PRESSURE RATING: MIN 150 kPa - MAX 500 kPa

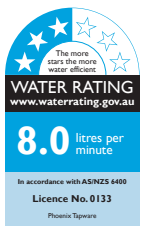
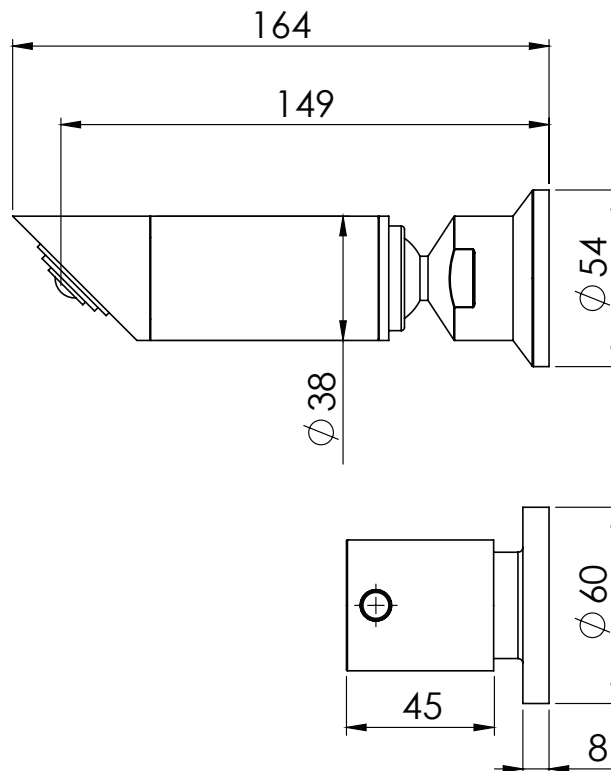


AVAILABLE IN:



CHROME

FOR MORE INFORMATION VISIT
www.phoenixtapware.com.au



PLEASE [CLICK HERE](#) TO VIEW FULL WARRANTY

While we aim to ensure the specifications shown are correct at time of printing, Phoenix Tapware reserves the right to make modifications without prior notice. Always use the physical product measurements for mark-ups and roughing-in as the line drawing shown may differ from the actual product over time. All measurements are shown in millimetres.

www.phoenixtapware.com.au
03 9780 4200



PHOENIX

SPECIFICATIONS

VIVID PIN LEVER

SHOWER SET 15MM EXTENDED SPINDLES

PRODUCT CODE:

VPI22 CHR

FINISH:

CHROME

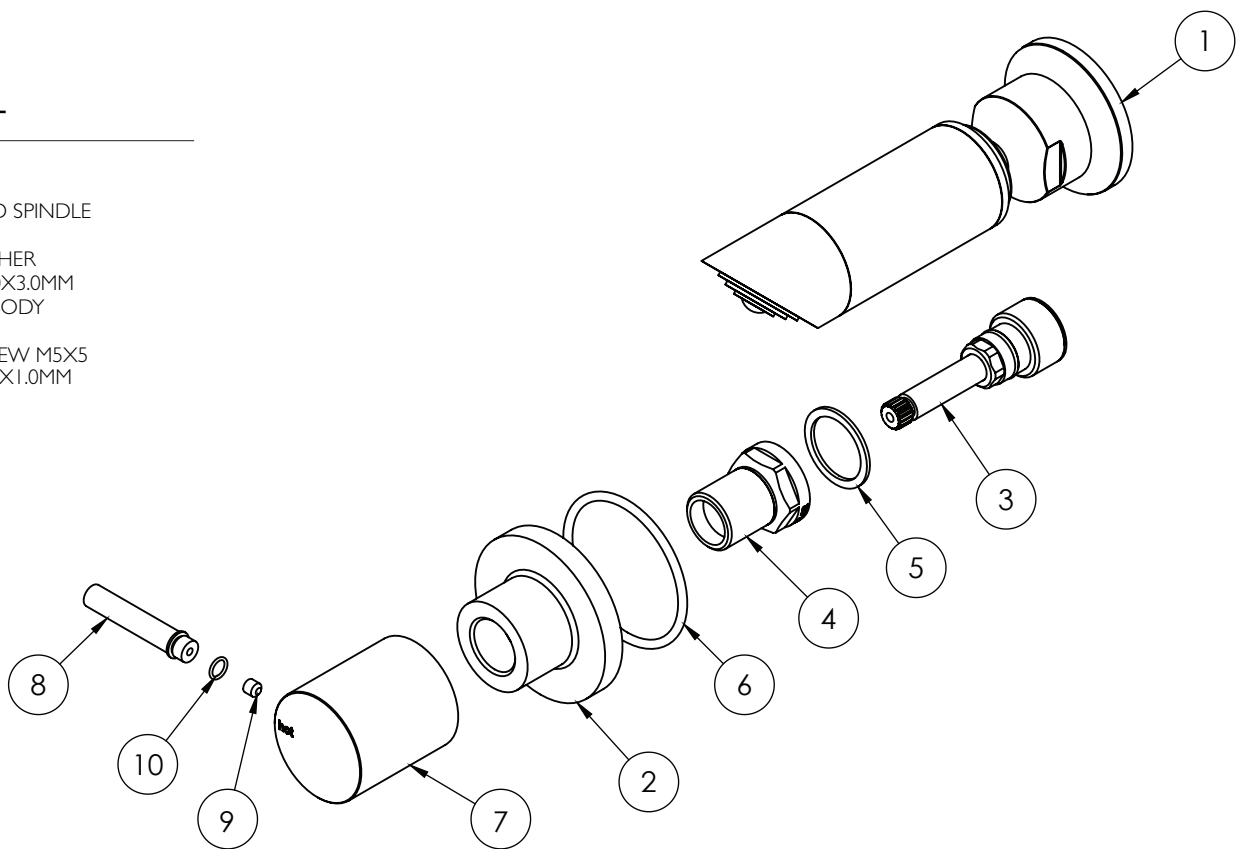
WELS:

3 STAR - 8.0 LT/MIN



PARTS LIST

1. SHOWER
2. FLANGE
3. EXTENDED SPINDLE
4. BONNET
5. FIBER WASHER
6. O-RING 50X3.0MM
7. HANDLE BODY
8. PIN LEVER
9. GRUB SCREW M5X5
10. O-RING 6X1.0MM



MAINTENANCE AND CARE:

- All surfaces should be cleaned with mild liquid detergent or soap and water.
- Do not use cream cleaners or citrus based cleaning products, as they are abrasive.
- Use of unsuitable cleaning agents may damage the surface. Any damage caused in this way will not be covered by warranty.

PACKAGING INCLUDES

- 1 x Shower
- 1 x Hot tap
- 1 x Cold tap
- 1 x Installation kit
- 1 x Installation instructions
- 1 x Warranty card

PLEASE [CLICK HERE](#) TO VIEW FULL WARRANTY

While we aim to ensure the specifications shown are correct at time of printing, Phoenix Tapware reserves the right to make modifications without prior notice. Always use the physical product measurements for mark-ups and roughing-in as the line drawing shown may differ from the actual product over time. All measurements are shown in millimetres.

www.phoenixtapware.com.au
03 9780 4200