



PHOENIX

SPECIFICATIONS

VIVID SLIMLINE

SHOWER ARM 30 X 10MM RECTANGLE SQUARE PLATE

PRODUCT CODE:	VS6001-00
FINISH:	CHROME
WELS:	N/A

INFORMATION:

TEMPERATURE RATING:	MIN 1° - MAX 75°
PRESSURE RATING:	MIN 150 kPa - MAX 500 kPa

CONSUMER UNIT:

SIZE:	L 480MM x W 180MM x H 70MM
GROSS WEIGHT:	0.6 KG
BARCODE EAN-13:	9 320594 027 278



AVAILABLE IN:



CHROME

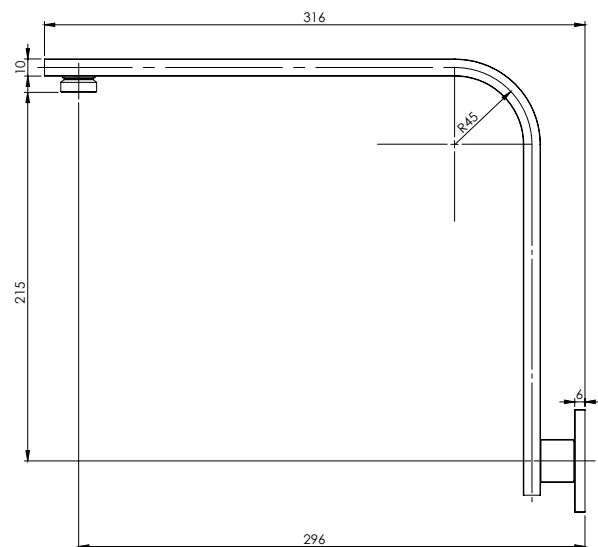
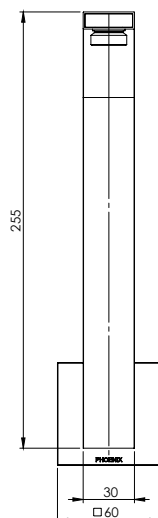
FOR MORE INFORMATION VISIT
www.phoenixtapware.com.au

MAINTENANCE AND CARE:

- All surfaces should be cleaned with mild liquid detergent or soap and water.
- Do not use cream cleaners or citrus based cleaning products, as they are abrasive.
- Use of unsuitable cleaning agents may damage the surface. Any damage caused in this way will not be covered by warranty.

PACKAGING INCLUDES

- 1 x Shower arm
- 1 x Dress plate
- 1 x Installation instructions
- 1 x Warranty card



PLEASE [CLICK HERE](#) TO VIEW FULL WARRANTY

While we aim to ensure the specifications shown are correct at time of printing, Phoenix Tapware reserves the right to make modifications without prior notice. Always use the physical product measurements for mark-ups and roughing-in as the line drawing shown may differ from the actual product over time. All measurements are shown in millimetres.

www.phoenixtapware.com.au
03 9780 4200