



PHOENIX

SPECIFICATIONS

MEKKO

SINK MIXER 190MM SQUARELINE

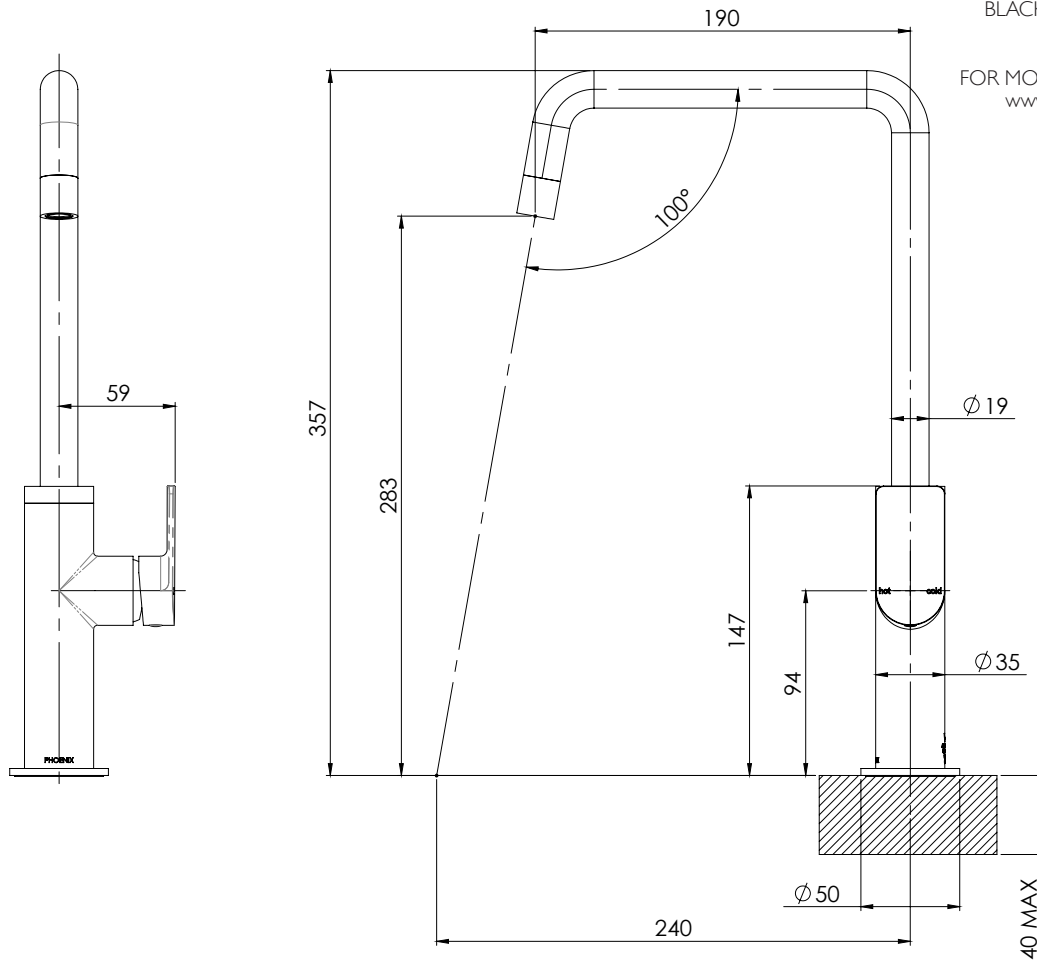
PRODUCT CODE: 115-7300-00
 FINISH: CHROME
 WELS: 4 STAR - 7.0 LT/MIN

INFORMATION:

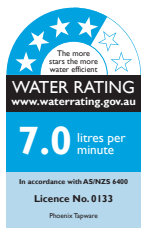
TEMPERATURE RATING: MIN 1° - MAX 75°
 PRESSURE RATING: MIN 150 kPa - MAX 500 kPa



AVAILABLE IN:



FOR MORE INFORMATION VISIT www.phoenixtapware.com.au



PLEASE [CLICK HERE](#) TO VIEW FULL WARRANTY

While we aim to ensure the specifications shown are correct at time of printing, Phoenix Tapware reserves the right to make modifications without prior notice. Always use the physical product measurements for mark-ups and roughing-in as the line drawing shown may differ from the actual product over time. All measurements are shown in millimetres.

www.phoenixtapware.com.au
03 9780 4200



PHOENIX

SPECIFICATIONS

MEKKO

SINK MIXER 190MM SQUARELINE

PRODUCT CODE:

115-7300-00

FINISH:

CHROME

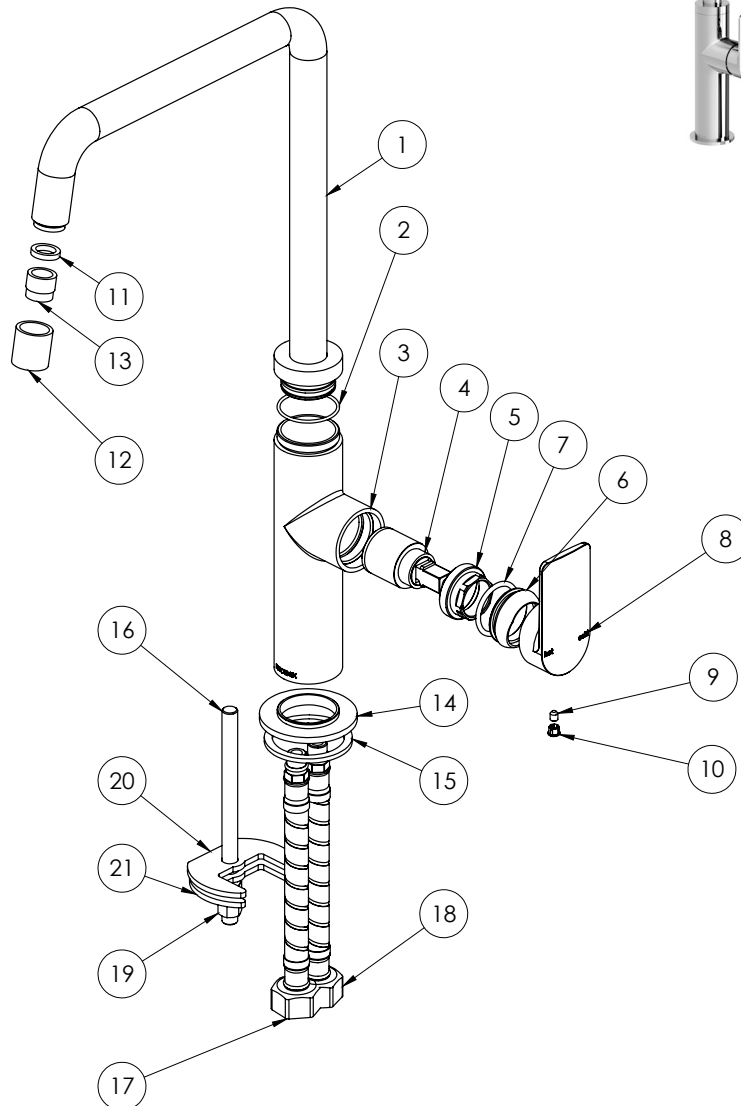
WELS:

4 STAR - 7.0 LT/MIN



PARTS LIST

1. SWIVEL OUTLET
2. O-RING 29X1.5
3. MIXER BODY
4. LOWER BASE VALVE
5. LOCKNUT
6. DOME
7. O-RING 25X2.5
8. HANDLE
9. GRUB SCREW M4X5
10. SCREW CAP
11. GASKET
12. NOZZLE RETAINER
13. AERATOR
14. DRESS PLATE
15. RUBBER WASHER
16. M8 THREADED ROD
17. FLEXIBLE HOSE 450MM HOT
18. FLEXIBLE HOSE 450MM COLD
19. M8 THREADED NUT
20. RUBBER GASKET
21. FIXING PLATE



MAINTENANCE AND CARE:

- All surfaces should be cleaned with mild liquid detergent or soap and water.
- Do not use cream cleaners or citrus based cleaning products, as they are abrasive.
- Use of unsuitable cleaning agents may damage the surface. Any damage caused in this way will not be covered by warranty.

PACKAGING INCLUDES

- 1 x Sink mixer
- 1 x Installation kit
- 1 x 450mm braided flexible cold hose
- 1 x 450mm braided flexible hot hose
- 1 x Dress plate
- 1 x Installation instructions
- 1 x Warranty card

PLEASE [CLICK HERE](#) TO VIEW FULL WARRANTY

While we aim to ensure the specifications shown are correct at time of printing, Phoenix Tapware reserves the right to make modifications without prior notice. Always use the physical product measurements for mark-ups and roughing-in as the line drawing shown may differ from the actual product over time. All measurements are shown in millimetres.

Designed and Registered in Australia by Phoenix Industries Pty. Ltd
V031018

www.phoenixtapware.com.au
03 9780 4200