

PINA

HAND SHOWER

PRODUCT CODE: 153-6610-00
 FINISH: CHROME
 WELS: 4 STAR - 6.5 LT/MIN

INFORMATION:

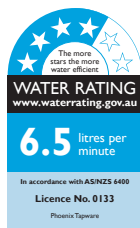
TEMPERATURE RATING: MIN 1° - MAX 75°
 PRESSURE RATING: MIN 150 kPa - MAX 500 kPa

MAINTENANCE AND CARE:

- All surfaces should be cleaned with mild liquid detergent or soap and water.
- Do not use cream cleaners or citrus based cleaning products, as they are abrasive.
- Use of unsuitable cleaning agents may damage the surface. Any damage caused in this way will not be covered by warranty.

PACKAGING INCLUDES

- 1 x Shower hand piece
- 1 x Wall bracket
- 1 x Hose
- 1 x Installation kit
- 1 x Installation instructions
- 1 x Warranty card



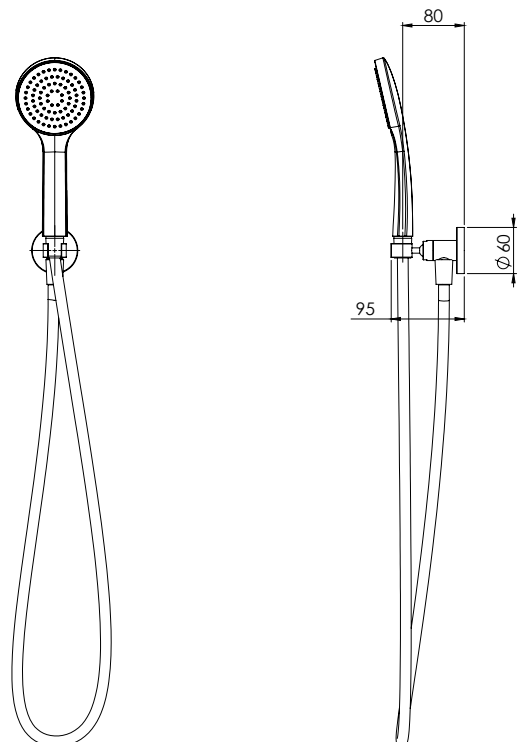
SPECIFICATIONS



AVAILABLE IN:



* 1 Year Warranty - Phoenix Builders Matte Black Finish
 FOR MORE INFORMATION VISIT
www.phoenixtapware.com.au



PLEASE [CLICK HERE](#) TO VIEW FULL WARRANTY

While we aim to ensure the specifications shown are correct at time of printing, Phoenix Tapware reserves the right to make modifications without prior notice. Always use the physical product measurements for mark-ups and roughing-in as the line drawing shown may differ from the actual product over time. All measurements are shown in millimetres.

Pina is a Registered Trademark of Phoenix Industries Pty. Ltd.

V111018

www.phoenixtapware.com.au
 03 9780 4200