

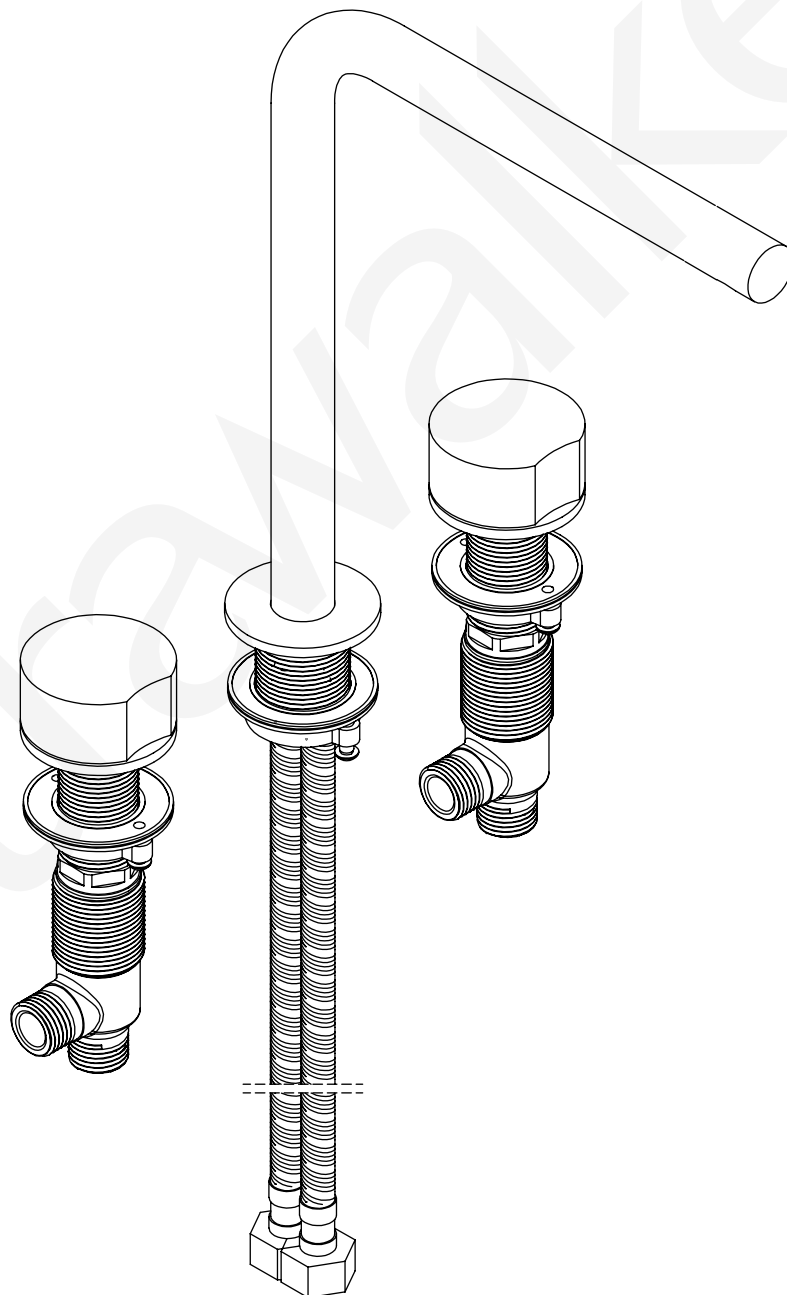
ASSEMBLE

The logo for Astrawalker, consisting of the lowercase letters 'aw' in a white, sans-serif font, followed by a trademark symbol (TM), set against a red rectangular background.

A81.07.V9

Installation Instructions

- Tapware to be installed by a licenced plumber in accordance with AS/NZS 3500:2003
- Recommended working water pressure 150 - 500kPa
- Maximum water temperature is 65 deg C
- After completing the installation check function of tapware and ensure no water leaks.



astrawalker™

ASSEMBLE



A81.07.V9

Installation Instructions

Ensure water lines are completely flushed prior to connecting the new mixer.

Remove fixing nut, washers and handles on assembled hot and cold taps.

Remove fixing nut and washers on the spout.

Ensure that the flexible hoses in the spout are firmly connected into the base of the spout.

Align the basin body assembly and spout into position, and lower onto the mounting surface.

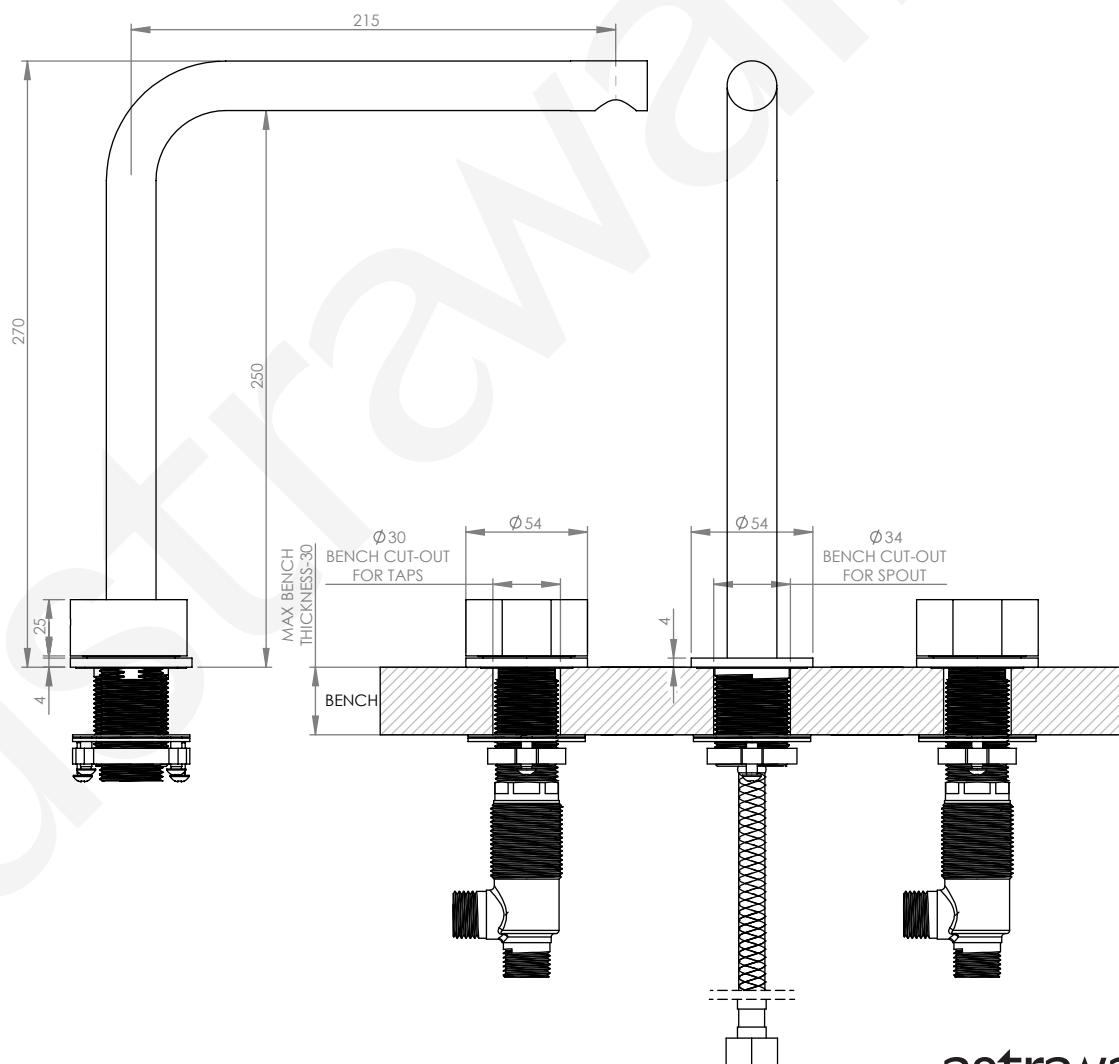
Fit flanges to support the basin body assemblies onto the mounting surface and adjust the basin body assemblies to the correct depth using the handle as a guide.

From the underneath secure washers and fixing nuts to both the taps and spout.

Connect the flexible hoses on the spout to both hot and cold basin bodies.

Attach handle to the handle insert and adjust into correct position, and tighten well using an Allen Key.

Connect the hot and cold water supplies to isolating stop cocks.



astrawalker™