

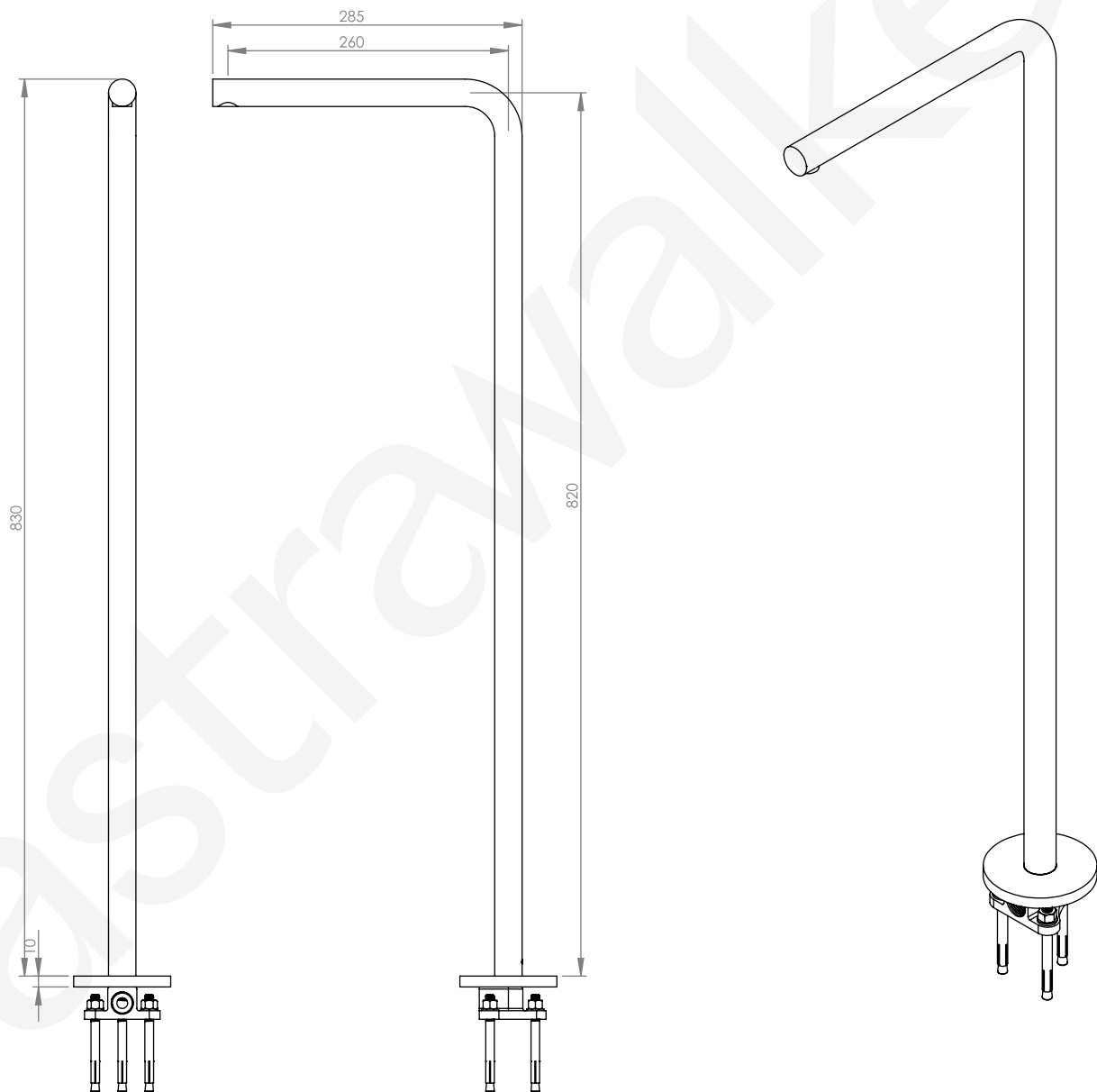
ASSEMBLE



A81.07.XS

Installation Instructions

- Tapware to be installed by a licenced plumber in accordance with AS/NZS 3500:2003
- Recommended working water pressure 150 - 500kPa
- Maximum water temperature is 65 deg C
- After completing the installation check function of tapware and ensure no water leaks.



ASSEMBLE

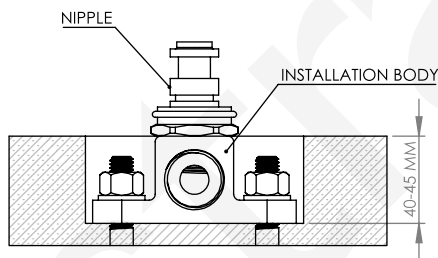


A81.07.XS

Installation Instructions

Ensure water lines are completely flushed prior to installation.

- 1) Install brass body to correct depth as shown in the drawing below.
- 2) Secure brass body to floor using bolts supplied. Ensure this is level and aligned correctly.
- 3) Push down the spout over the o-ring nipple and tighten grub screw.



NB: ENSURE BODY IS INSTALLED AT CORRECT DEPTH
40 - 45mm BELOW FINISHED FLOOR

