

ASSEMBLE

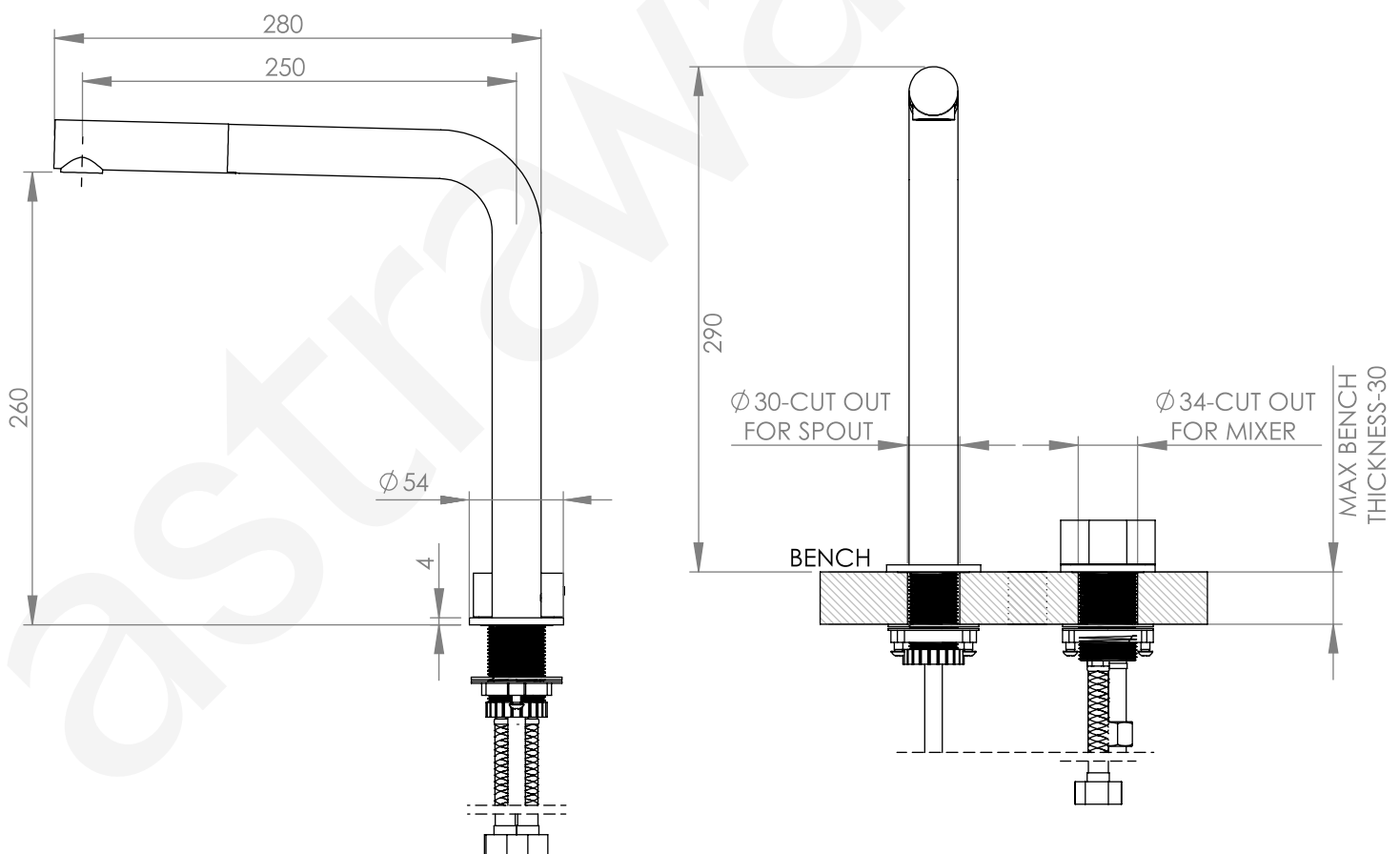


A81.08.V9

Installation Instructions

- Tapware to be installed by a licenced plumber in accordance with AS/NZS 3500:2003
- Recommended working water pressure 150 - 500kPa
- Maximum water temperature is 65 deg C
- After completing the installation check function of tapware and ensure no water leaks.

- 1) Ensure water lines are completely flushed prior to connecting the new mixer.
- 2) Remove fixing nut and washers on assembled hob mixer.
- 3) Ensure that the flexible hoses are firmly connected into the base of the assembled mixer.
- 4) Remove fixing nut & washers including the lead weight on the pull-out spout.
- 5) Place both items into position, and lower onto the mounting surface.
- 6) From the underneath secure washers and fixing nuts to both the hob mixer and spout.
- 7) Connect the flexible pull-out hose on the spout to the hob mixer.
- 8) Connect the lead weight to the flexible pull-out hose so that the handpiece fully retracts into the tap body.
- 9) Connect the hot and cold water supplies to isolating stop cocks.



astrawalker™