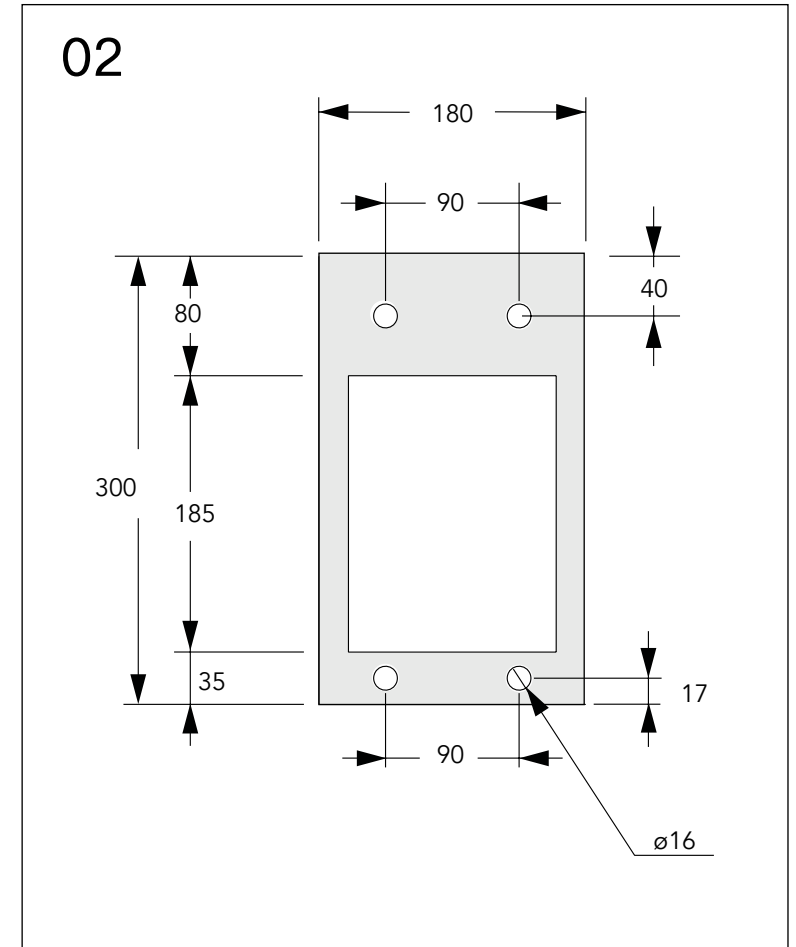
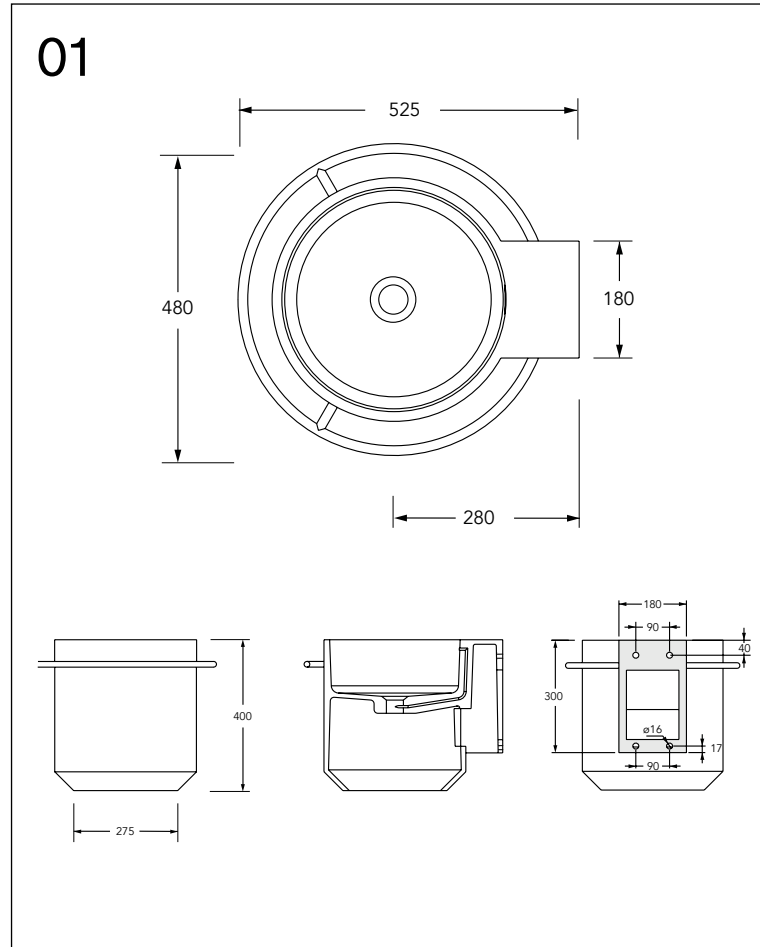
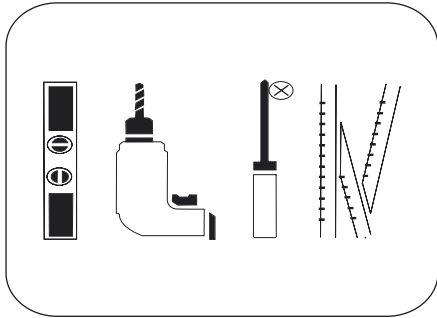
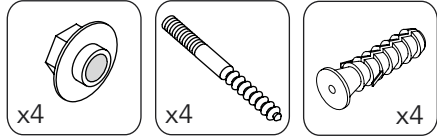


UNITED PRODUCTS

BASIN FIXING KIT



Installation Instructions - Solid surface vessel basin installation

If you have any doubts please contact us: hello@united-products.co

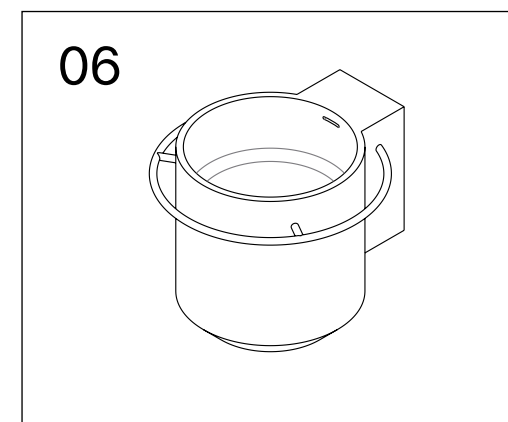
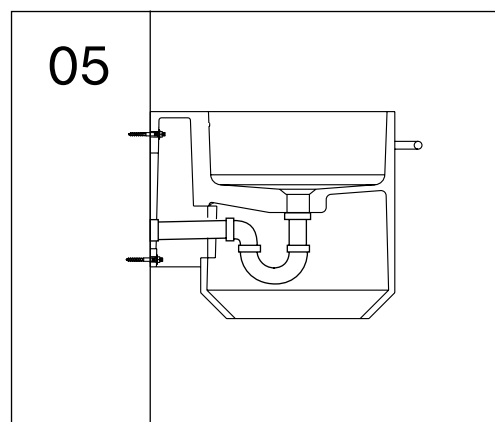
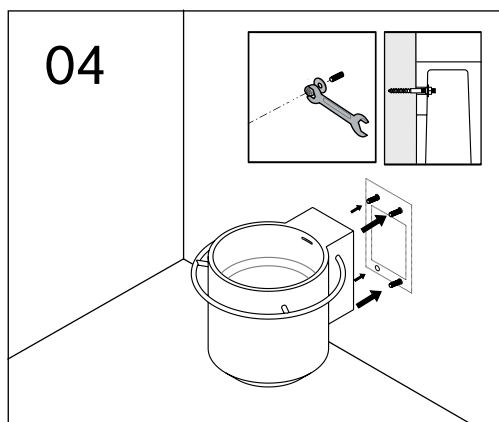
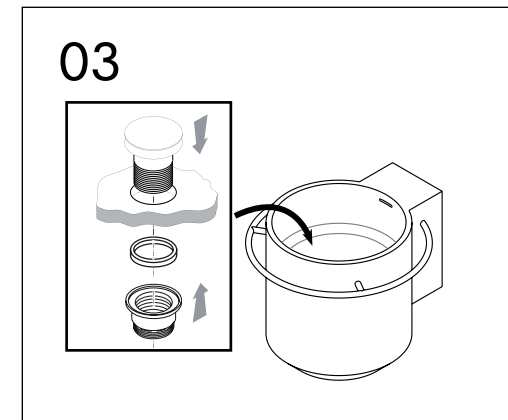
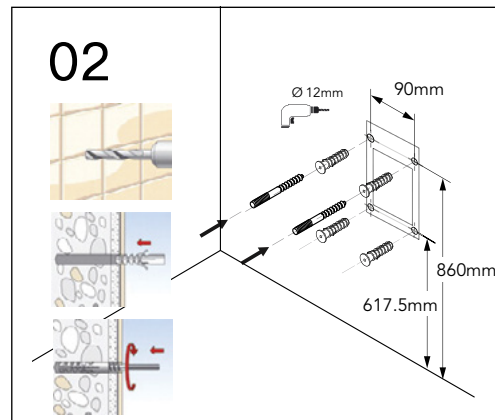
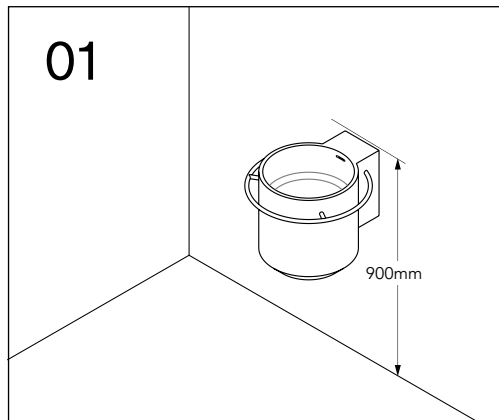
Licensed Plumber / Builder Required For Installation.

Prior to installation please inspect product for any damage that can occur in transit and that product is correct.

01. Mounting Face With Access Port For Integrated Plumbing

02. Mounting Face With Access Port For Integrated Plumbing

Halo Basin



Installation Instructions - if you have any doubts please contact us: hello@united-products.co

01. Position basin. Standard height 900mm from finished floor. Verify integrity of wall or load-bearing noggins are in appropriate position for basin installation
02. Drill & securely set basin fixing bolts in vertical wall surface. See hole pattern for hanging basin. Drill bit \varnothing as per fixing kit specification.
03. Install waste specified for the basin aligning overflow
04. Hang basin from bolts ensure basin is level. Fix with nylon basin fixing caps & nut. Ensure basin is level.
05. Connect basin to waste
06. Clean with a soapy sponge, followed by a rinse. For stubborn stains such as lime scale or soap build up use a mild abrasive cleaner like gumption®paste, jif® cream or ajax® cream or powder - use with a soft damp cloth in wide circular motions. Enjoy

Halo Basin 1 013 001 / 1 013 002