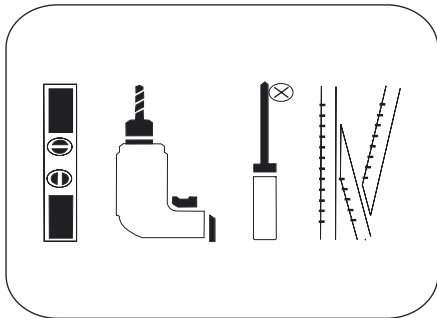
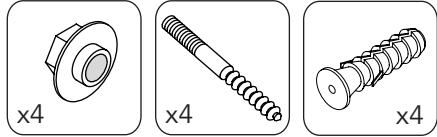


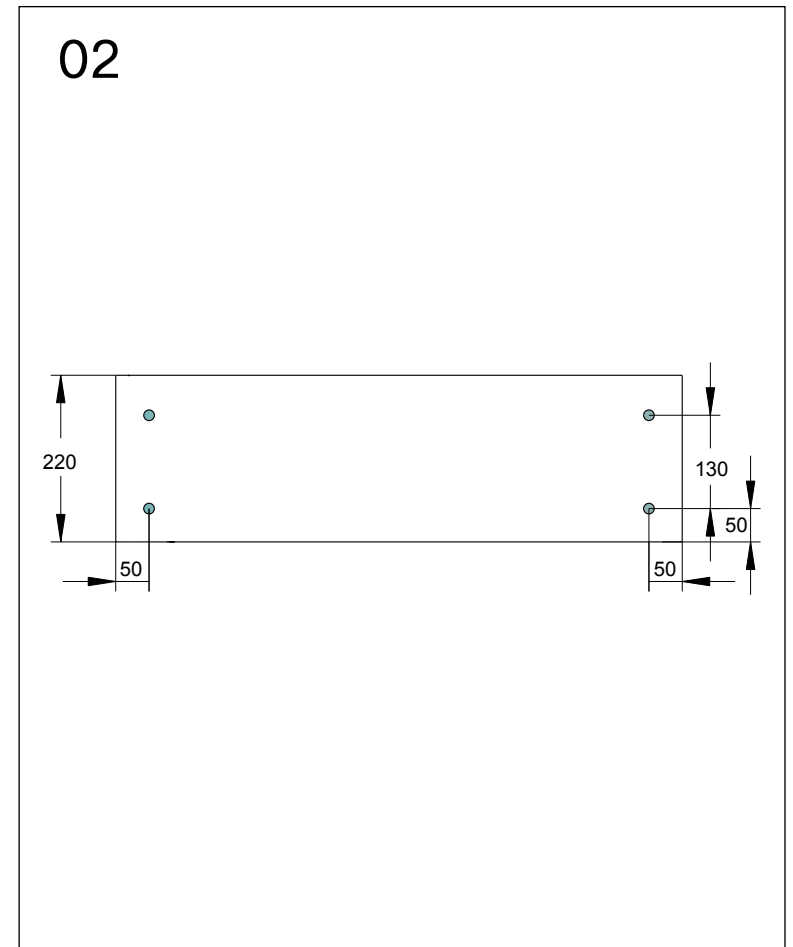
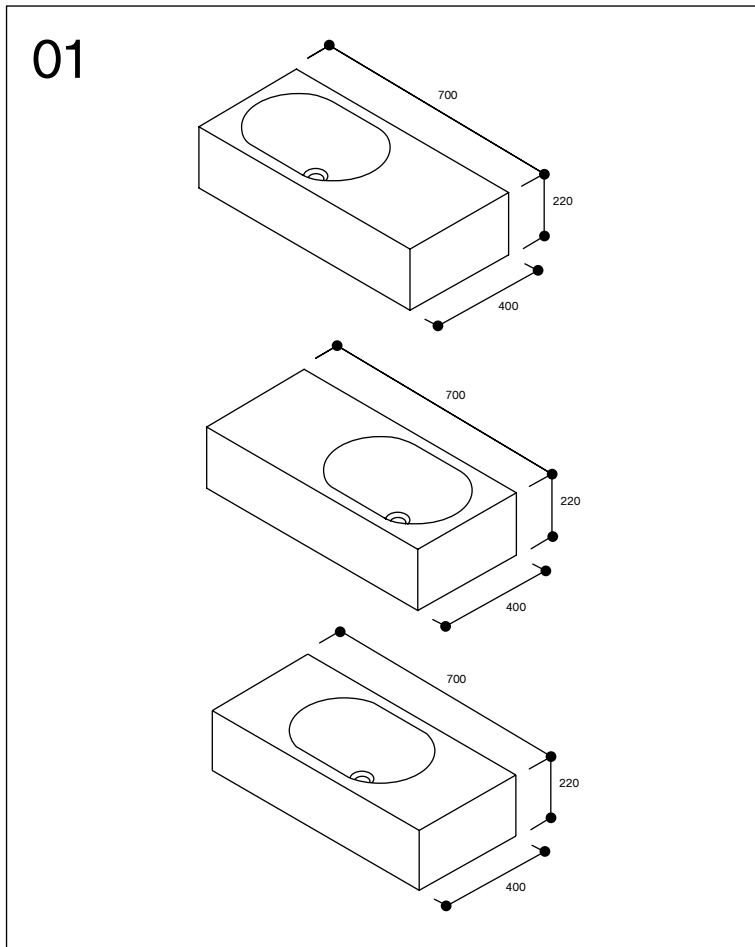
# UNITED PRODUCTS

## BASIN FIXING KIT



Harper Basin

Designed in Australia



### Installation Instructions - wall mounted solid surface basin installation

If you have any doubts please contact us: [hello@united-products.co](mailto:hello@united-products.co)  
Licensed Plumber / Builder Required For Installation.

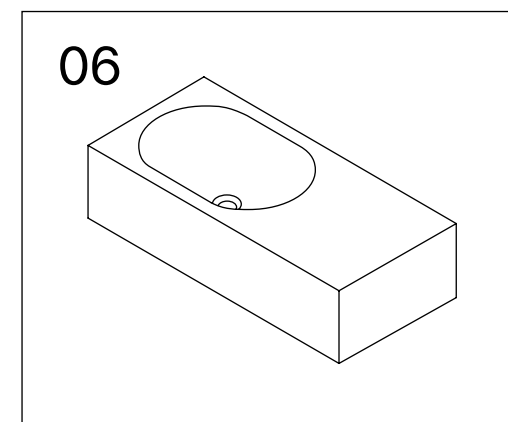
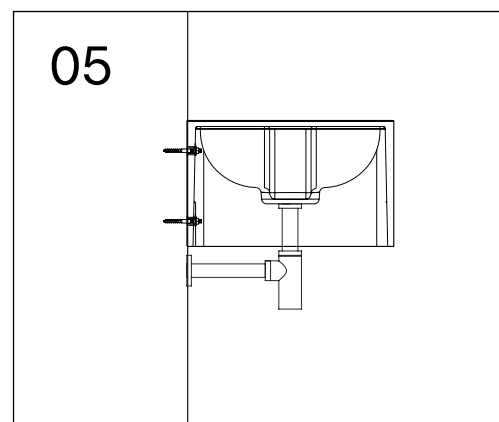
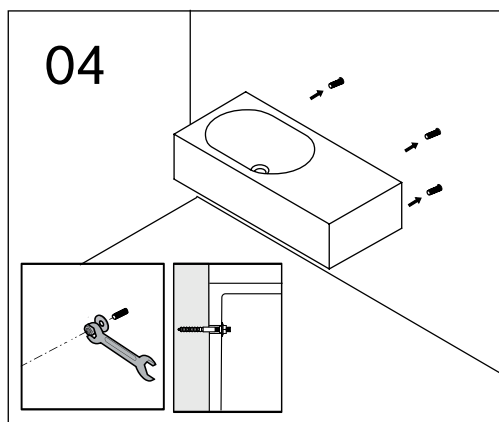
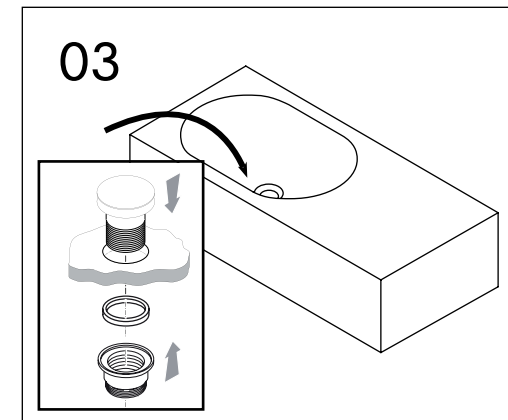
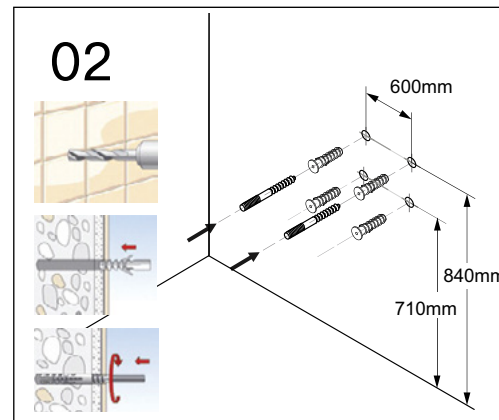
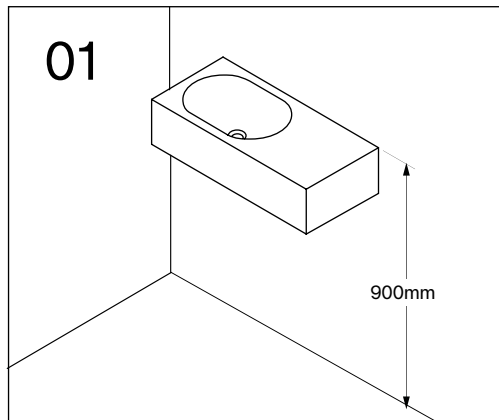
Prior to installation please inspect product for any damage that can occur in transit and that product is correct.

01. Harper can be installed with the basin on the left, right or centre.

02. Suggested holes for hanging basin. Licensed plumber / builder required to drill holes into mounting face.  
Pre-drill holes using a sharp wood drill before drilling holes appropriate for the basin fixings.

U. P.

© United Products 2017



Installation Instructions - if you have any doubts please contact us: [hello@united-products.co](mailto:hello@united-products.co)

01. Position basin. Standard height 900mm from finished floor, outline waste position. Verify integrity of vanity surface and plumbing is in appropriate position for basin installation.

02. Drill & securely set basin fixing bolts in vertical wall surface. See hole pattern for hanging basin

03. Install waste specified for the basin

04. Hang basin from bolts. Ensure basin is level, fix with nylon basin fixing caps & nut. Ensure basin is level

05. Connect basin to waste.

06. Clean with a soapy sponge, followed by a rinse. For stubborn stains such as lime scale or soap build up use a mild abrasive cleaner like gumption®paste, jif® cream or ajax® cream or powder - use with a soft damp cloth in wide circular motions. Enjoy