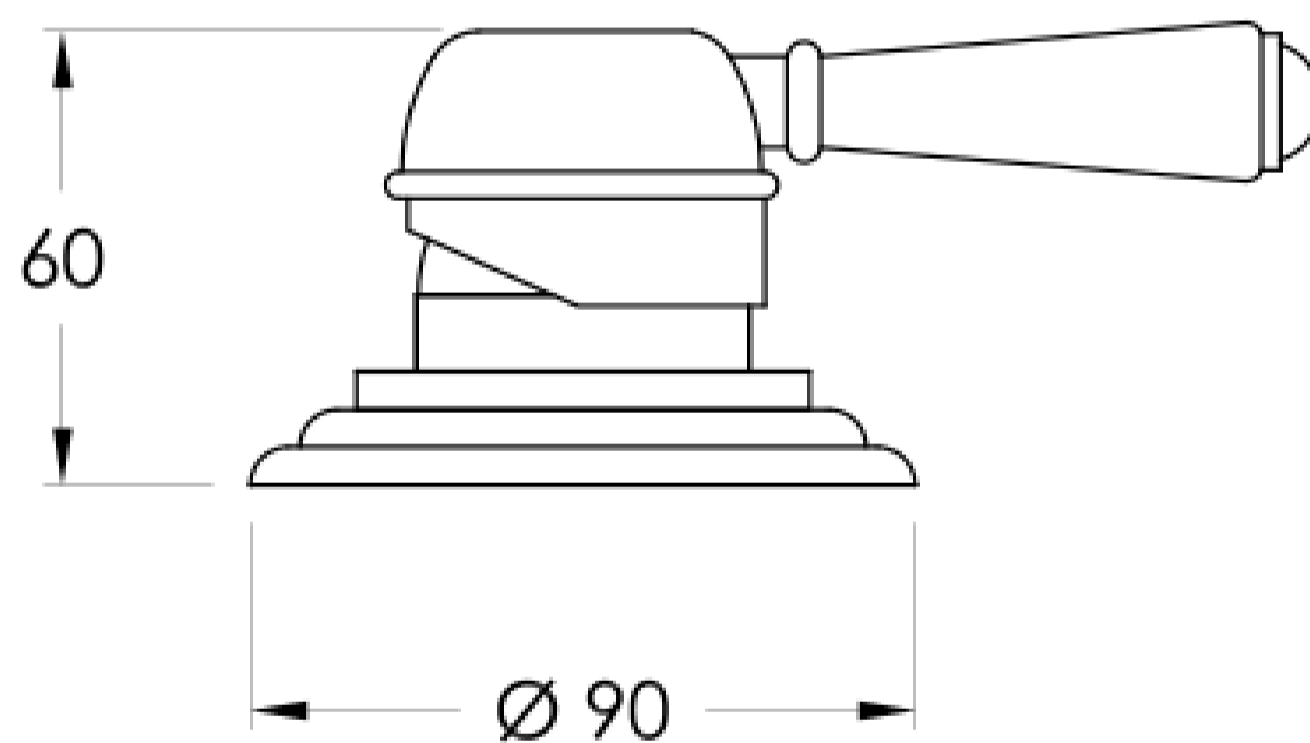


# Brodware



Note: Mixer requires a Ø45mm hole in the bench or basin

**NEU ENGLAND**

**1.8048.02.X.XX**

XX Indicates finish  
Manufacturing engineers of quality commercial and residential fittings  
Dimensions subjects to change without notice. All dimensions are approximate  
Copyright © Brodware Pty Ltd 2016. [www.brodware.com](http://www.brodware.com)

**Brodware**