

OLIVA

PIETRA BIANCA



Olivia is an elegantly crafted freestanding stone bath that offers the ultimate in relaxation and luxury. With a classic shape and timeless design, the Olivia bathtub will transform your bathroom into an oasis.

AVAILABLE COLOURS

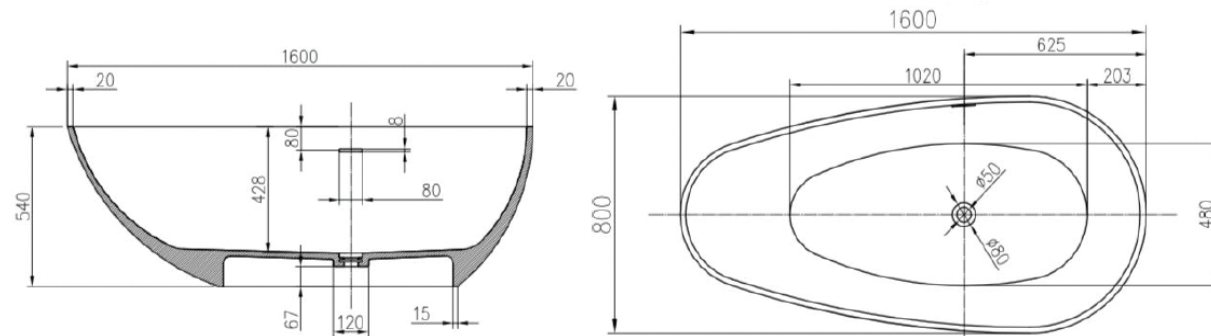
Olivia is available in **eight unique colours**, each hand crafted and no two alike. Please note, due to the handmade nature and the high content of natural stone, colour and dimensional tolerances apply.

	BLACK ONYX
	BLACK
	CHARCOAL
	GREY
	COCO BROWN
	IVORY
	WHITE ONYX
	WHITE MATTE

PIETRA BIANCA MATERIAL

The Olivia freestanding bath is made from our eco-friendly non-porous composite stone material. Created from our unique blend of reclaimed marble, limestone and engineered resins, our composite stone offers great heat retention, durability, is environmentally friendly and warm to the touch.

Approximate weight: 140kg



PRODUCT SIZE: 1600MM

PRODUCT CODE: PB1051

5 YEAR RESIDENTIAL
MANUFACTURER'S WARRANTY

3 YEAR COMMERCIAL
MANUFACTURER'S WARRANTY



Pietra Bianca offers an optional overflow drain and/or a complimenting stone drain cover at an additional cost.

PIETRA BIANCA

OLIVA



Olivia is an elegantly crafted freestanding stone bath that offers the ultimate in relaxation and luxury. With a classic shape and timeless design, the Olivia bathtub will transform your bathroom into an oasis.

AVAILABLE COLOURS

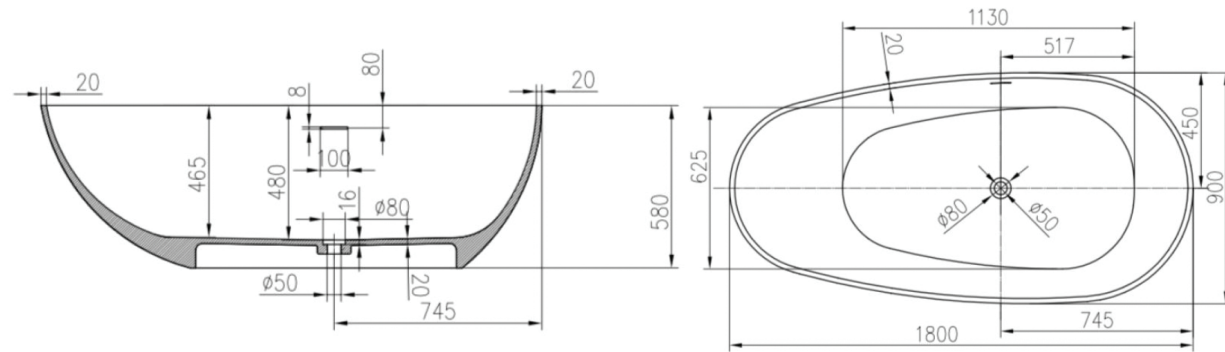
Olivia is available in **eight unique colours**, each hand crafted and no two alike. Please note, due to the handmade nature and the high content of natural stone, colour and dimensional tolerances apply.

	BLACK ONYX
	BLACK
	CHARCOAL
	GREY
	COCO BROWN
	IVORY
	WHITE ONYX
	WHITE MATTE

PIETRA BIANCA MATERIAL

The Olivia freestanding bath is made from our eco-friendly non-porous composite stone material. Created from our unique blend of reclaimed marble, limestone and engineered resins, our composite stone offers great heat retention, durability, is environmentally friendly and warm to the touch.

Approximate weight: 150kg



PRODUCT SIZE: 1800MM

PRODUCT CODE: PB1050

5 YEAR RESIDENTIAL MANUFACTURER'S WARRANTY

3 YEAR COMMERCIAL MANUFACTURER'S WARRANTY



Pietra Bianca offers an optional overflow drain and/or a complimenting stone drain cover at an additional cost.