

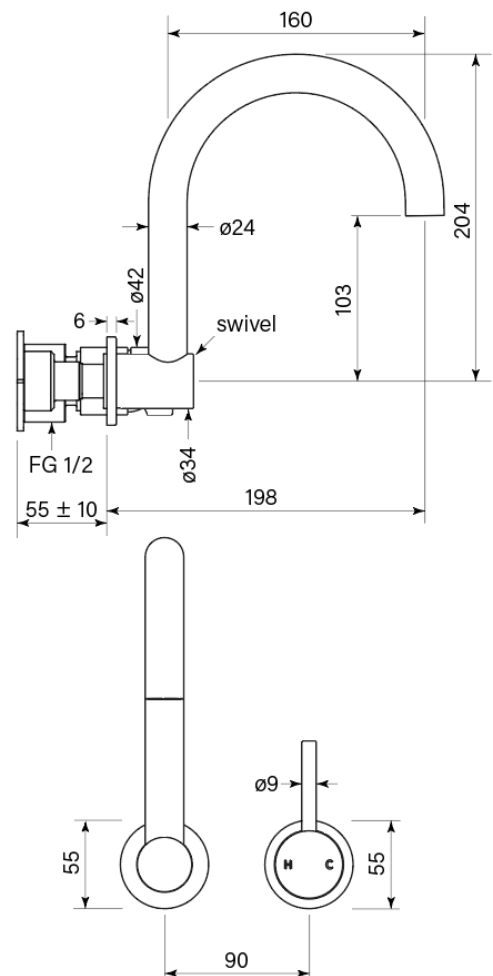
Product Specifications

30652-11 Pegasi M Wall Swivel Basin Mixer Set, Chrome



Features:

- Built in Australia
- Reach 200 mm
- 2 stage flow step valve
- Includes in-wall breach
- Recessed aerator
- M series



WaterMark

WM-022284

