

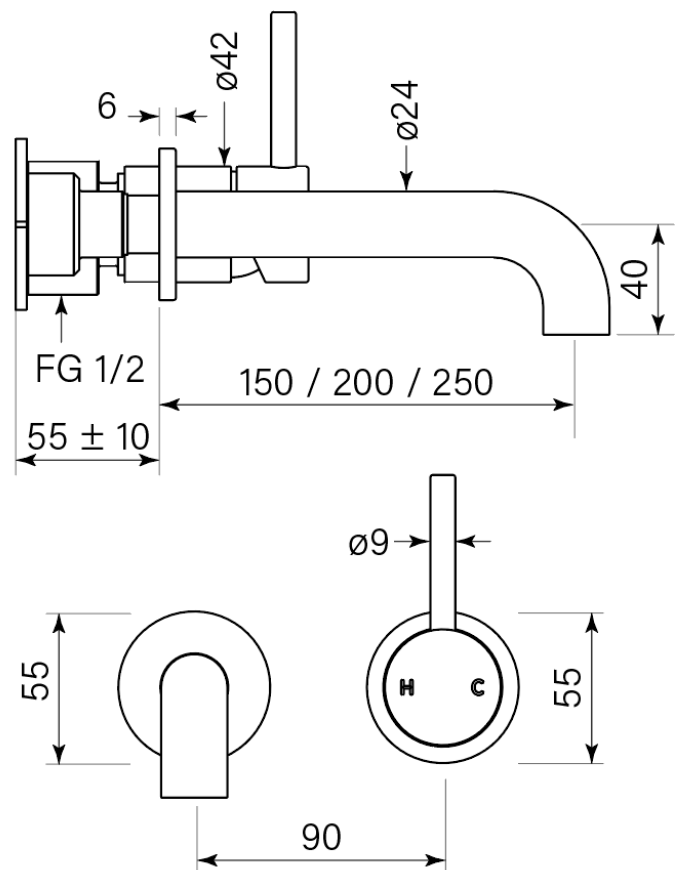
# Product Specifications

**30656-11** Pegasi M Wall Basin Mixer Set 250, Chrome



## Features:

- Built in Australia
- Reach 250 mm
- 2 stage flow step valve
- Includes in-wall breach
- Recessed aerator
- M series



WaterMark

WM-022284

