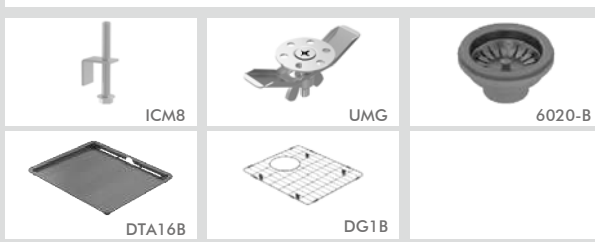




Model Code: CR340B

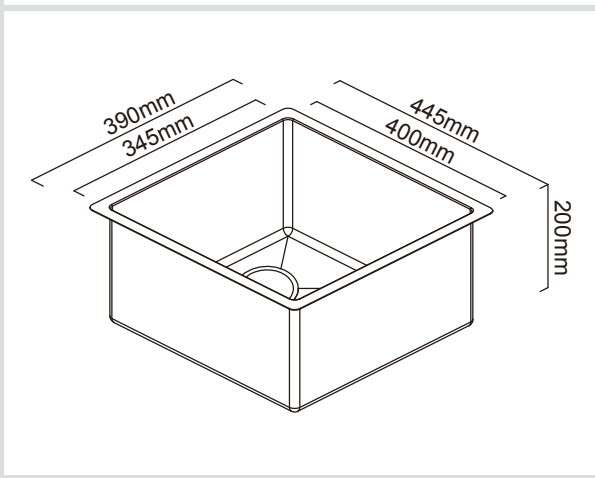
### Included Accessories



### Optional Accessories



### Dimensions



### Specifications

Description	Single Bowl, Inset/Undermount Sink
Overall Sink Size	390mm x 445mm x 200mm deep
Bowl Dimensions	345mm x 400mm x 200mm deep
Drainer Length	N/A
Technic	Fabrication
Material	Stainless steel SUS304

### Installation

Fixings	Inset & Undermount clips supplied
Template	N/A
Min Cabinet Size	400mm
Waste Holes	2 x 90mm round Compatible with waste disposal

### Plumbing

Waste Fittings	2 x (90mm x 2") basket wastes included
Overflow	Available, conditions apply

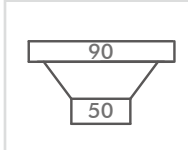
### Packaging

Carton Type	EPS protection & individual carton
Gross Weight	7.56Kg
Carton Size	470mm x 286mm x 513mm
Pack QTY	1

#### SURFACE FINISH



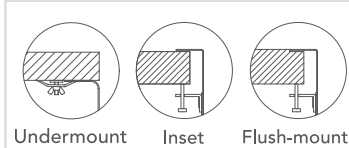
#### WASTE KIT



#### MATERIAL



#### INSTALLATION OPTIONS



#### PROFILE



Abey are Australia's leaders in sinkware, designing and manufacturing to the world's highest quality specifications as well as sourcing and bringing you Europe's very best, leading edge designs – practical, affordable, inspirational, stylish, timeless or cutting edge. When you buy an Abey stainless steel sink you receive the highest quality and 25 year warranty. Abey and the manufacturer are continually seeking ways to improve the design specifications, aesthetic and production techniques of the products. As a result, alterations to the specifications and dimensions of the products and designs occur continually.