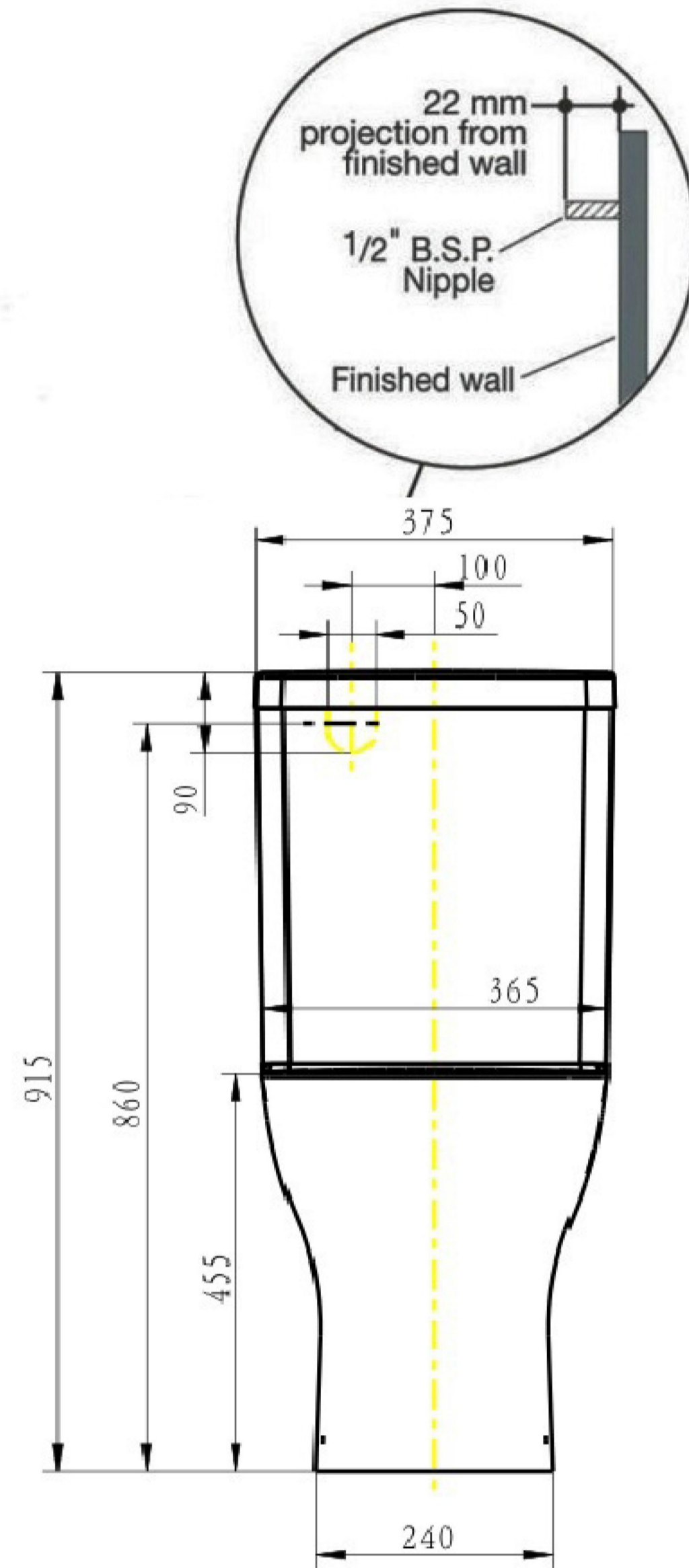


PLUMBERS' INSTALLATION INSTRUCTIONS

PLEASE READ CAREFULLY BEFORE INSTALLATION THESE CISTERN INSTRUCTIONS SUPERSEDE INSTRUCTIONS IN THE PAN CARTON

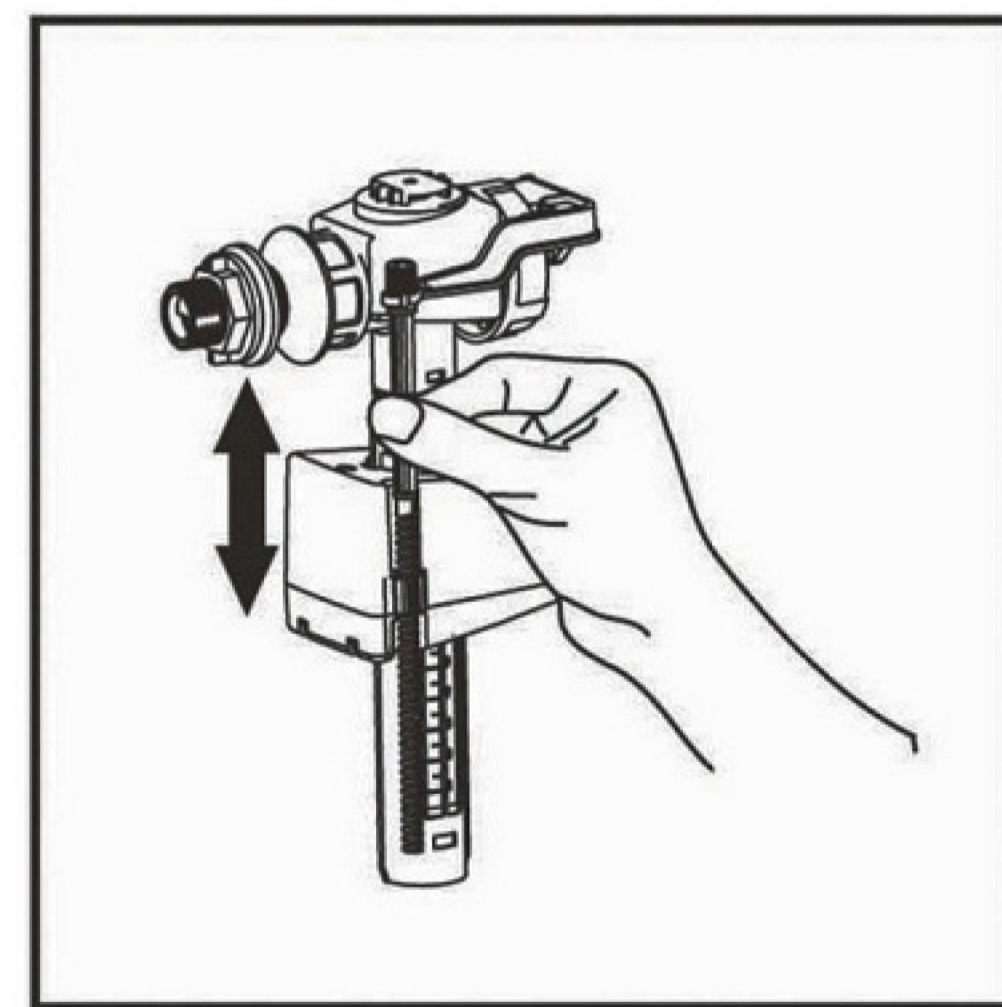
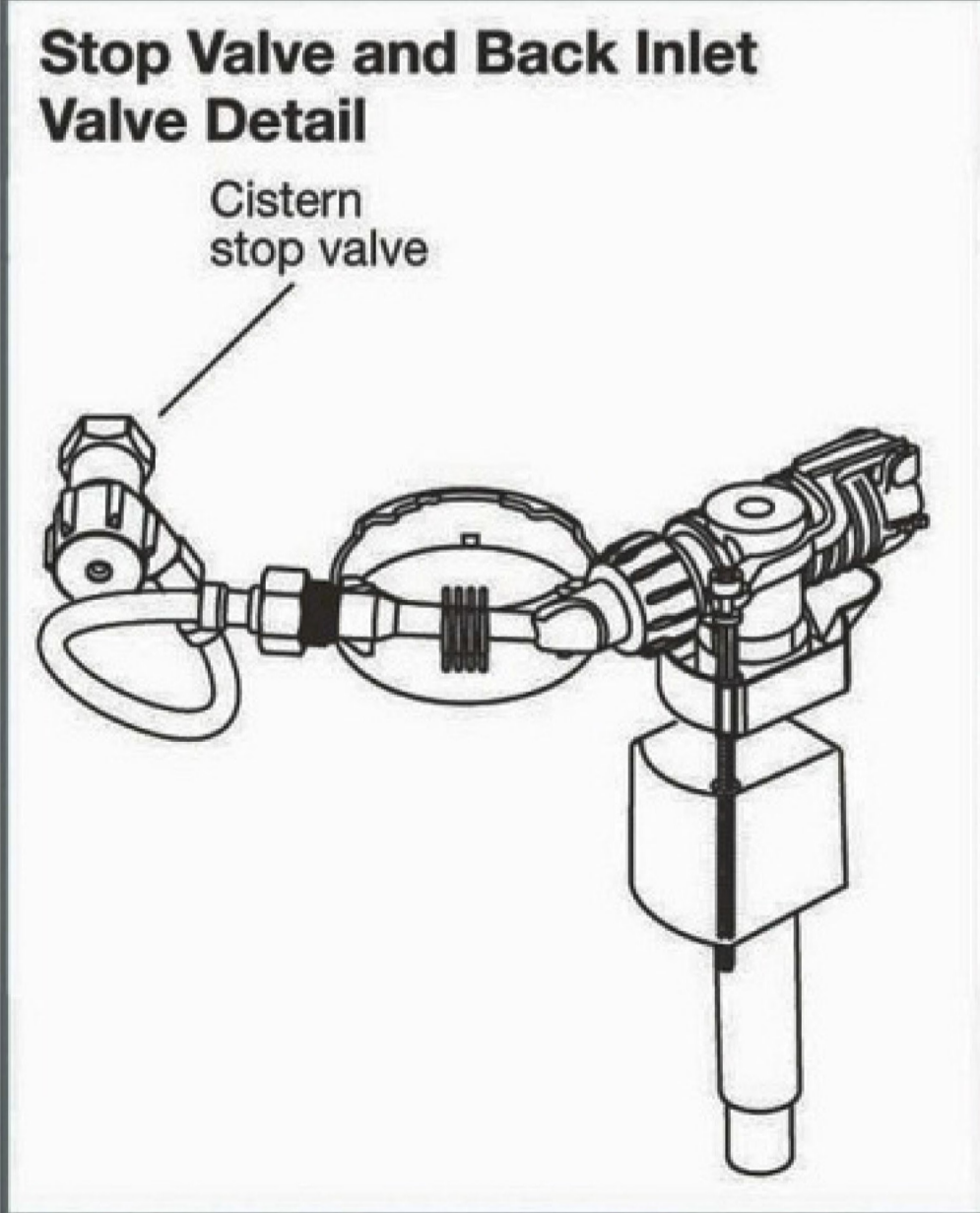
Back Entry installation



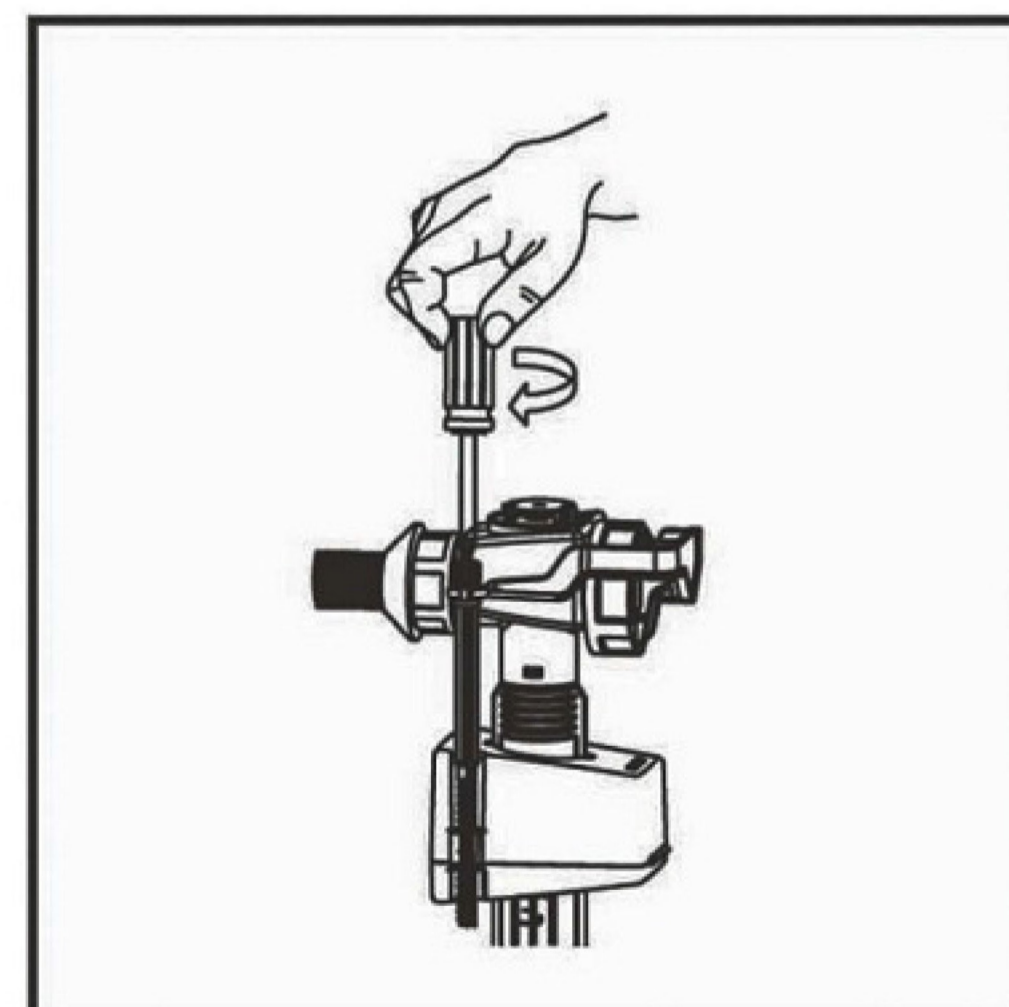
- 1 - Securely attach the self-adhesive foam seal around the outlet on the base of cistern. Remove inlet valve to gain access to the right hand cistern fixing hole.
- 2 - Position cistern onto pan, and align the cistern fixing holes with the threaded fixing holes located in the cistern platform.
- 3 - Ensure that the back inlet water connection nipple is aligned with the cut out in the back of the cistern. Fit the seals onto the winged fixing bolts.
- 4 - Insert the winged fixing bolts through the cistern fixing holes into the threaded fixing holes located in the pan. Gradually tighten the left and right hand nuts by hand to firmly secure the cistern to pan.
- 5 - Fit cistern stop valve (not supplied) to the 1/2" B.S.P. nipple in the wall using approved thread seal, in the downward angled position. Connect one end of flexible hose to cistern stop valve.
- 6 - Refit the inlet valve into position.,
- 7 - Flush the lines before connecting the flexible hose to the stop tap and ensure the hose is not rubbing against the inside of the cistern. Making sure the flexible hose in the cistern cannot be submerged in the water at any point.
- 8 - Turn on water mains. Open cistern stop valve and check for leaks and operation of mechanisms and valves. Ensure there is no leakage from the cistern into the pan.
- 9 - Adjust water level to the 4.5 litre water level mark inside the cistern by simply turning the float arm screw in a clockwise or anti-clockwise direction.
- 10 - Fit cistern lid to check push button operation to complete installation.



Must be Installed by a Licensed Plumber. For Full Warranty, Terms and Conditions & Product Maintenance, please refer to our Website - www.abey.com.au.



Rotating the adjustment rod can make the float move up and down to preadjust the water level height.



Clean the water supply tube. Then connect it to the fill valve and turn on the switch to supply water. Use a screwdriver to adjust the water level.

Note: The inlet valves are suitable for dynamic flow pressures of 30 kPa to 1000 kPa.

PLUMBERS'INSTALLATION INSTRUCTIONS

PLEASE READ CAREFULLY BEFORE INSTALLATION THESE CISTERN INSTRUCTIONS SUPERSEDE INSTRUCTIONS IN THE PAN CARTON

CISTERN FIXING PROCEDURE

Standard bottom inlet (Left or right hand) installation

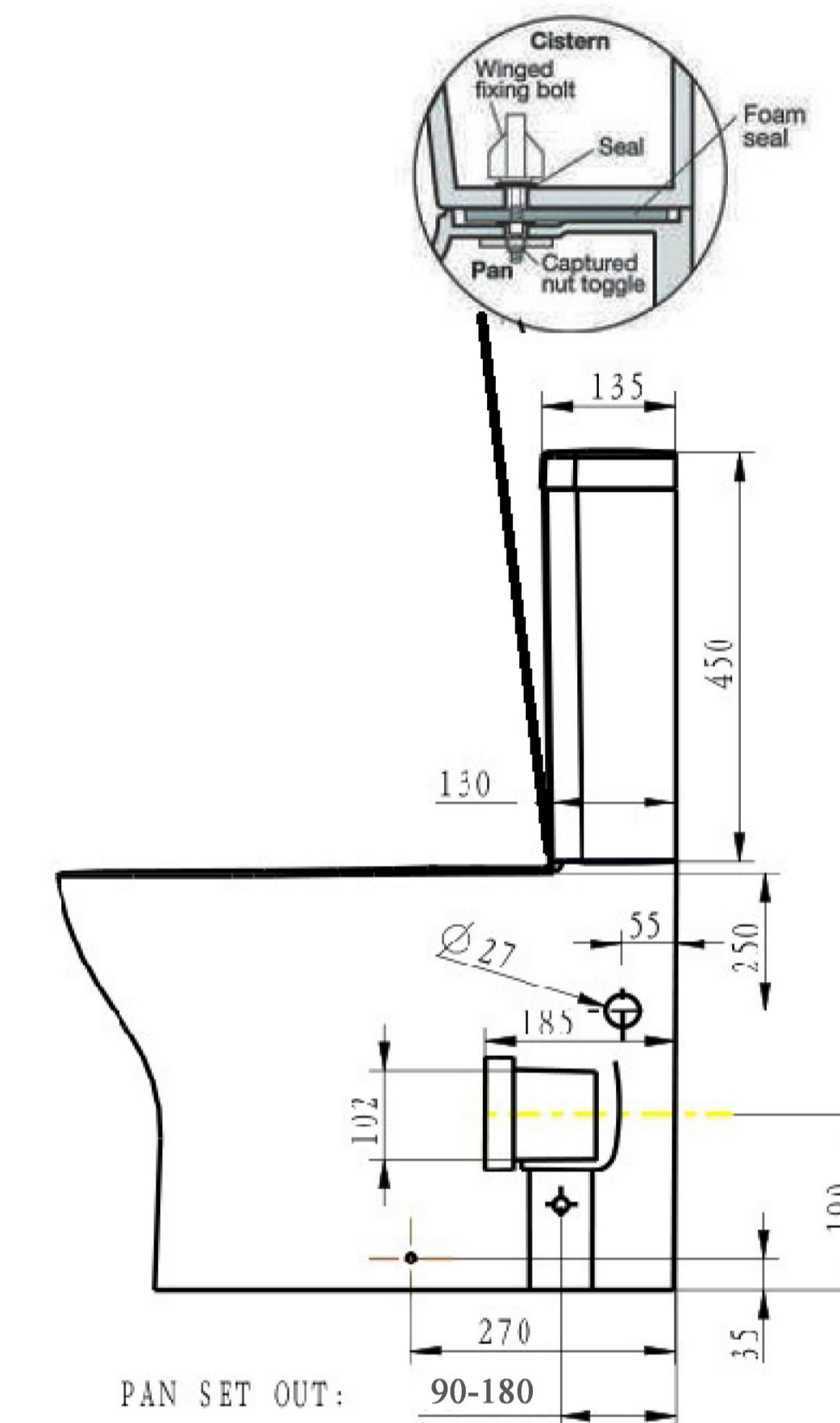
Note: The cistern fixes directly to the pan with a robust base fixing system without the need for wall fixing.

- 1- Ensure the foam seal at base of cistern is securely attached to cistern base
- 2- Connect flexible hose to inlet valve and thread other end of flexible hose through side hole on pan. Position cistern onto pan and align the cistern fixing holes with the threaded fixing holes located in the cistern platform. Fit the seals onto the winged fixing bolts.
- 3- Fit the seals into the winged fixing bolts. Twist and remove main top section of outlet valve to access bottom of cistern.
- 4- Insert the winged fixing bolts through the cistern fixing holes into the threaded fixing holes located in the pan. Gradually tighten the left and right hand nuts by hand to firmly secure the cistern to pan. Replace outlet valve ensuring orientation is correct.
- 5- Flush the lines before connecting the flexible hose to the stop tap.
- 6- Adjusting water level: Turn on water mains. Open the cistern stop valve and check the operation of the mechanisms and valve. Adjust water level to the water level mark inside the cistern by simply turning the float arm adjustment screw in a clockwise or anti clockwise direction.
- 7- Fit cistern lid to check push button operation to complete installation.

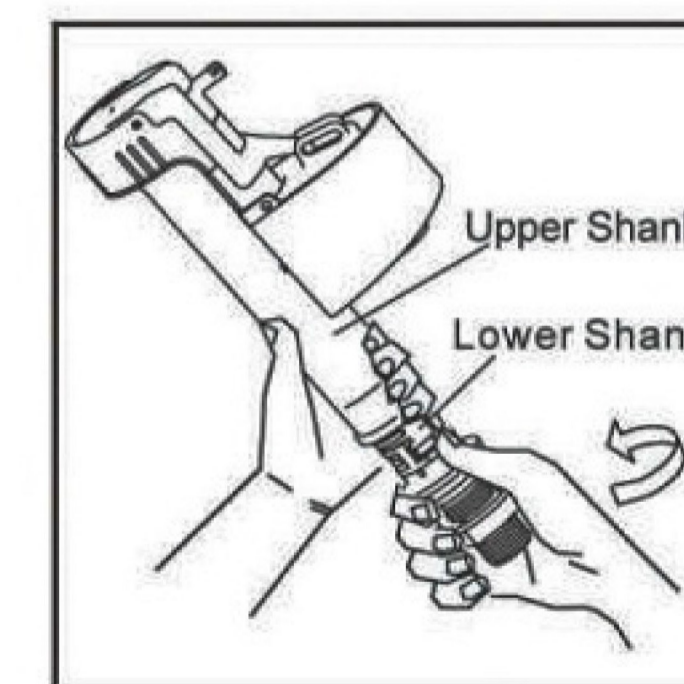
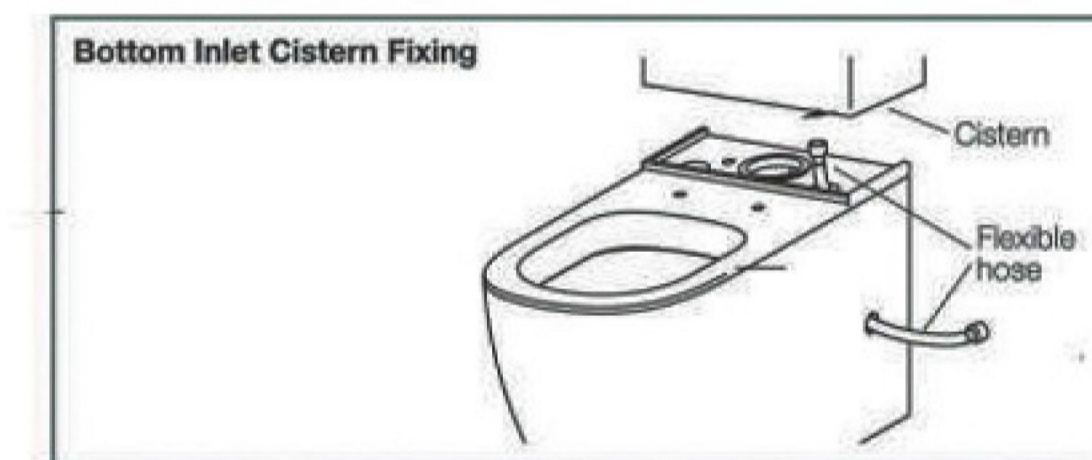
IMPORTANT: THE STANDARD INLET VALVE IS FITTED WITH A LINE STRAINER. ITS TAIL IS CENTRALLY LOCATED TO ALLOW EASY REMOVAL FOR CLEANING. THIS TAIL FITS EASILY INTO THE COPPER CONNECTION PIPE. INSTALLATION OF THE CISTERN WITHOUT THE STRAINER CAN LEAD TO DAMAGE OF THE INLET VALVE FROM THE WATER-BORNE CONTAMINANTS LEADING TO CISTERN MALFUNCTION.



Must be Installed by a Licensed Plumber. For Full Warranty, Terms and Conditions & Product Maintenance, please refer to our Website - www.abey.com.au.

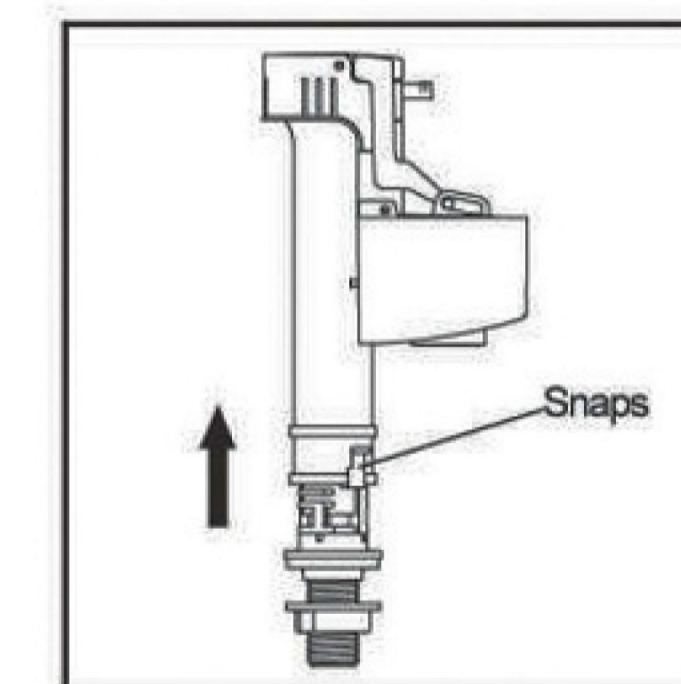


PAN SET OUT: 90-180

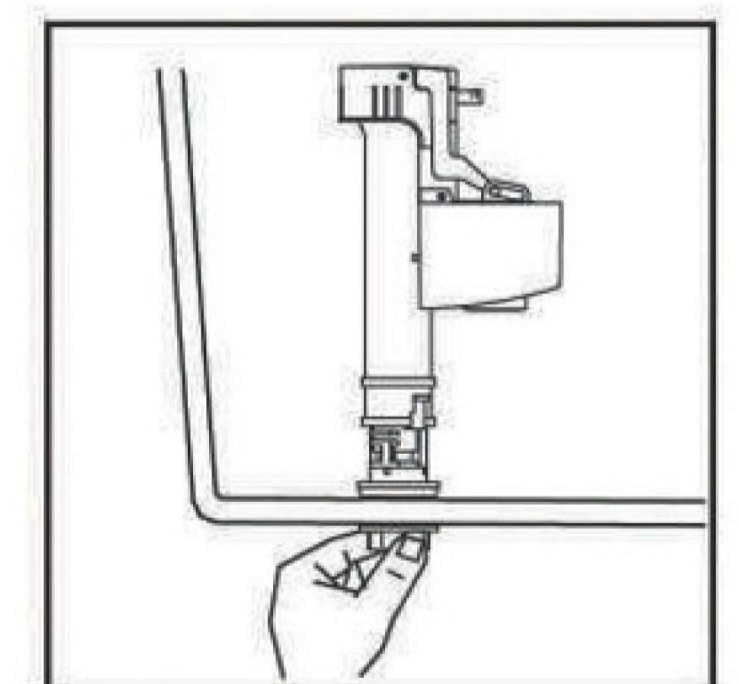


Adjust height of Fill Valve:
To adjust height, remove the snaps, turn the upper shank clockwise to unlock teeth from lower shank. Next, adjust the height by pulling up or down on upper shank to set at desired height.

Note: The inlet valves are suitable for dynamic flow pressures of 30 kPa to 1000 kPa.



After adjusting height of Fill valve, rotate the upper shank counter clockwise to lock into lower shank. Next, push up snaps to secure it.



Installing Fill Valve:
To install into tank, remove locknut and slide Fill Valve into the hole in tank. Next, position Fill valve to desired position and tighten the locknut. (DO NOT OVER TIGHTEN) (Torque <2.2 LB-FT)