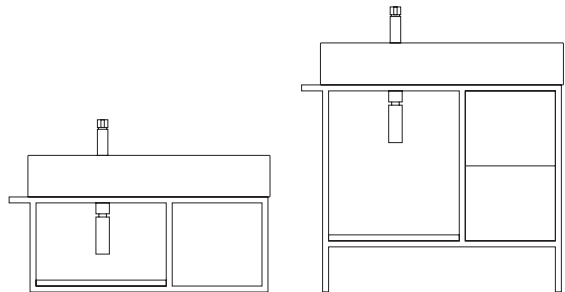


# ANTONIO METAL FRAME VANITY

## INSTALLATION INSTRUCTIONS

## CARE & MAINTENANCE

- 2 PRIOR TO INSTALLATION
- 4 INSTALLATION INSTRUCTIONS
- 6 DRAWER ALIGNMENT & INSTALLATION
- 7 CARE & MAINTENANCE
- 8 ADP WARRANTY



### ARE YOU INSTALLING THIS PRODUCT?

Please read the installation instructions BEFORE INSTALLATION.

If the product is not installed in accordance with these instructions, your ADP warranty may be void and the homeowner may have a claim against you (the installer).

*This product must be installed by a qualified tradesperson.*



**IMPORTANT - It is the responsibility of the installer to make any adjustments to doors/drawers after installation if required.**

*There may have been some movement in transportation and installation which causes doors/drawers to become unaligned.*

PLEASE RETURN TO HOME OWNER - IMPORTANT CARE & WARRANTY INFORMATION INSIDE.  
For more information visit [www.adpaustralia.com.au](http://www.adpaustralia.com.au).

# ✓ PRIOR TO INSTALLATION CHECKLIST



This product must be installed by a qualified tradesperson and we would expect the installation to be undertaken in a tradesperson like manner and finished to a tradesperson standard. This product carries a full warranty against faulty workmanship and materials.

**Please inspect thoroughly before installation to ensure that the product has not been damaged and is correct. No claims for damage or incorrect items will be recognised after installation.**

**IT IS THE RESPONSIBILITY OF THE INSTALLER TO MAKE ANY ADJUSTMENTS TO DOORS/DRAWERS AFTER INSTALLATION IF REQUIRED.**

**Please Note: If you cannot find the installation instructions for your ADP product in this booklet please go to [www.adpaustralia.com.au/installation-warranty](http://www.adpaustralia.com.au/installation-warranty) to find applicable instructions.**

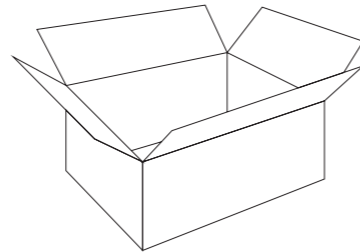
## 1 Check Products For Any Damages

Within 48 hours of receiving your goods, unpack your ADP product and check for any possible freight damages or incorrect items.

Please contact your place of purchase to report damages or missing parts.

**No claims for damages will be recognised after installation.**

Please note: fixing screws/bolts are not supplied for installation.



## 2 Positioning & Ventilation

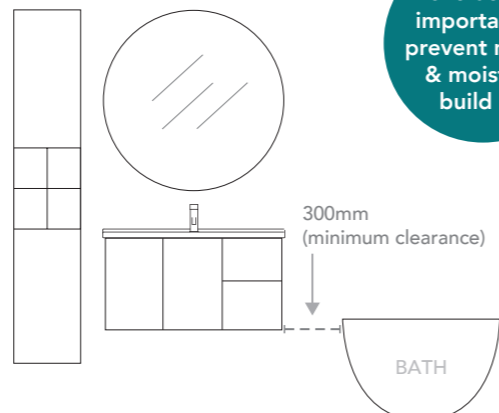
*Planning your bathroom furniture placement is critical.*

Furniture must be at least 300mm away from any wet areas. Materials used in the construction of our furniture units are moisture resistant, not water proof.

Do not expose furniture to shower spray.

It is important that your bathroom is adequately ventilated to eliminate moisture build up.

High humidity will lead to permanent dampness and mould resulting in a deterioration of the materials in your bathroom.

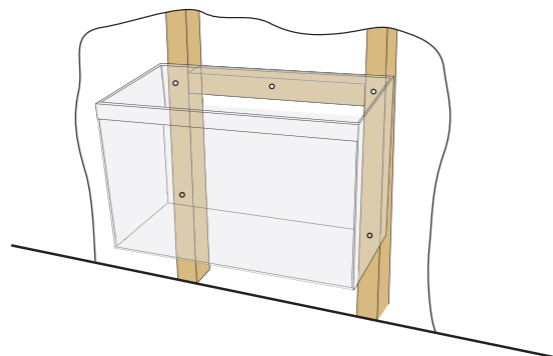


## 3 Check for Support Beams

Wall hung furniture & basins require fixing to a support beam fitted between the studs to give a solid wall backing to attach the vanity to.

If necessary, fix additional support noggins at desired height for cabinet and basin fixing prior to sheeting the wall.

Ensure total width of support noggin exceeds vanity width.



## 4 Check for Plumb Walls & Level Floors

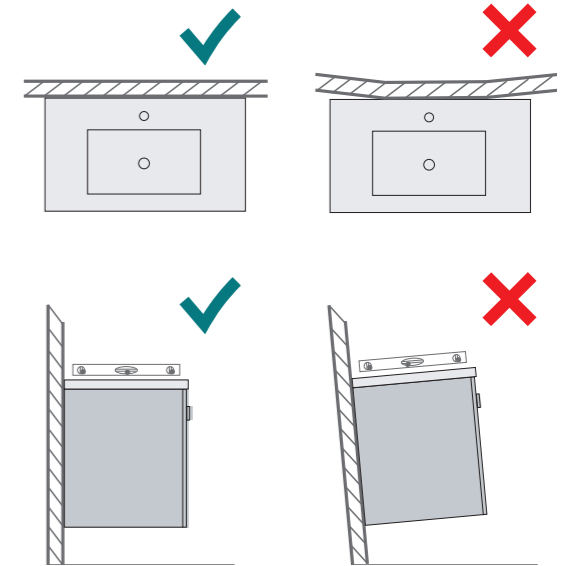
Ensure the wall is plumb and straight, ensure floor is level. If you fix the product to a non-plumb wall or floor the following could happen:

- Your door or drawers will not operate correctly.
- Door or drawers will not align.
- Basins will not sit level, which may cause water to pool or not drain properly.

If it is not possible to make the wall or floor plumb and straight you must pack the vanity out so that it does not follow the out of aligned wall.

Floor standing vanities must sit on a level floor or be packed so they sit level and true.

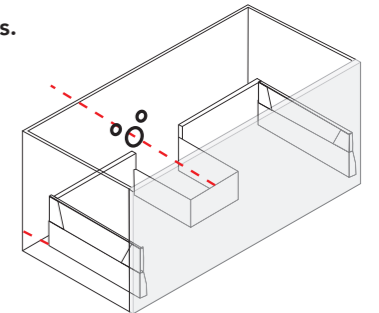
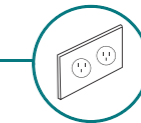
**Please note** if your vanity is fixed to a bowed wall, the fastening of the fixings will force your cabinet to twist and benchtop materials may crack due to increased stress on joins and materials.



## 5 Check Plumbing Positions Align with Product Interior Configurations.

Take note of clearances behind drawers when considering water supply fittings inside cabinet.

**Please note** if your product has any electrical fittings please allow for this and talk to your electrician

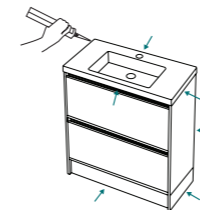


## ⚠ IMPORTANT TIPS



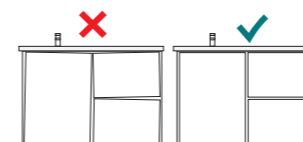
**ENSURE ALL TILES EXTEND BEHIND AND BENEATH THE BATHROOM FURNITURE.**

ADP do not recommend tiling in furniture due to moisture and mould build up which can damage the material and void the warranty.



**ALL AREAS WHERE CABINET/TOP MEETS WALL AND/OR FLOOR MUST BE SEALED USING A NEUTRAL CURE SILICONE.**

All edges where vanity top meets cabinet, wall or surrounding furniture must also be sealed with a continuous bead of silicone.



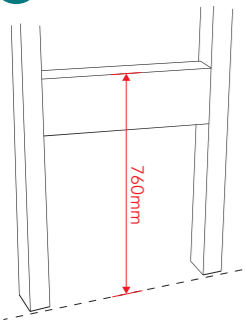
**IT IS THE RESPONSIBILITY OF THE INSTALLER TO MAKE ANY ADJUSTMENTS TO DOORS/DRAWERS AFTER INSTALLATION IF REQUIRED.**

There may have been some movement in transportation and installation which causes doors/drawers to become unaligned.

# INSTALLATION INSTRUCTIONS: ANTONIO METAL FRAME

For FLOOR MOUNT installation go to Step 4

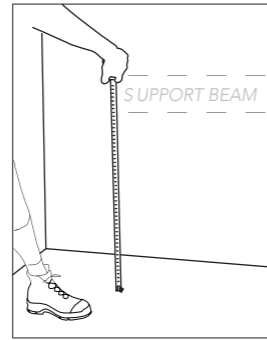
## 1 Support Beam



**WALL HUNG:** It is recommended that a 150 x 35mm timber support beam be pre-installed into the framework prior to sheeting the wall.

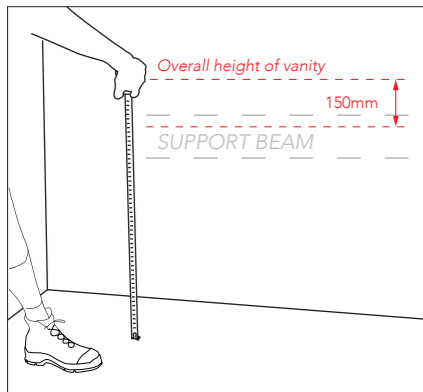
The recommended height of the support beam is approximately **760mm from the finished floor level**. This will determine the overall height of the vanity.

## 2 Support Beam Location



**WALL HUNG:** Once the wall has been sheeted, mark the position of the support beam on the wall.

## 3 Mark vanity height



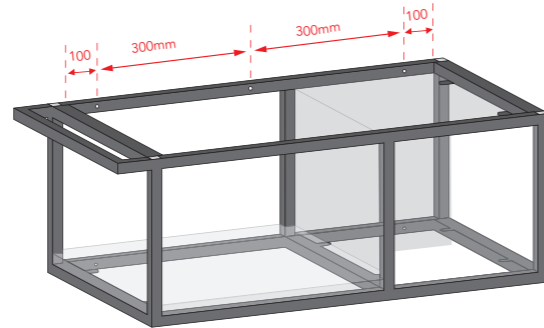
**WALL HUNG:** Mark on the wall the overall height of the vanity (including top). Recommended height is 850mm.

Measure down 150mm and mark wall, this will determine the location of the screws/bolts in frame. Mark a level line across the wall (approx width of the vanity). Use a level to ensure accurate line.

## 4 Measure & mark vanity position

### 4.1 - PRE-DRILL HOLES

Pre-drill holes in back rails, starting no further than 100mm from each end of the frame and spacing the holes a maximum of 300mm apart.



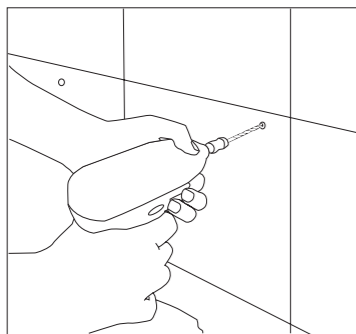
### 4.2 - WALL HUNG:

Measure the positions of the pre-drilled holes on the top back rail of metal frame. Mark these positions on your line.

### 4.2 - FLOOR MOUNT:

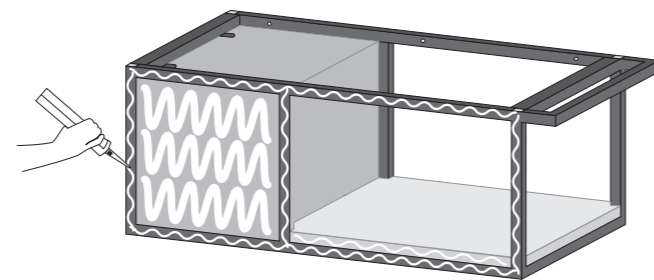
Place in position and adjust feet to level vanity. Mark position through pre-drilled holes in top back rail.

## 5 Pre-drill hole locations



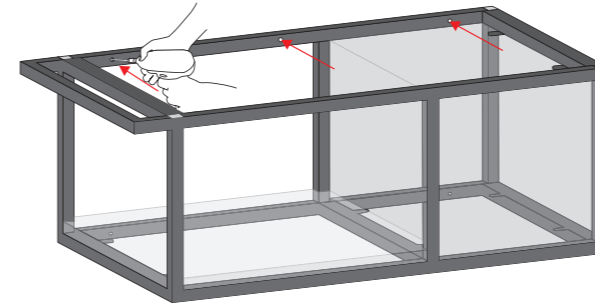
Pre-drill hole locations into the wall. Be sure to use an appropriate drill bit for your wall covering (tiles etc). Make sure you have drilled into the support beam.

## 6 Apply silicone



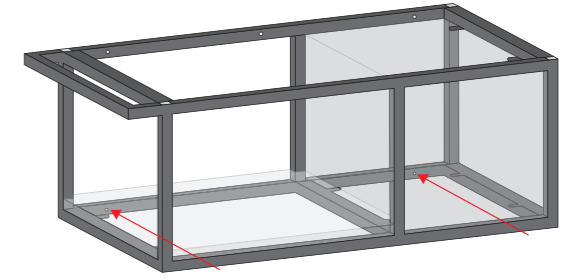
Apply silicone to all of the back surfaces of vanity, including metal frame, drawer and shelf.

## 7 Fix metal frame to wall through top rail



Secure vanity to the wall using appropriate screw/bolts through the pre-drilled holes on the top rail.

## 8 Pre-drill and fix metal frame to wall through bottom rail

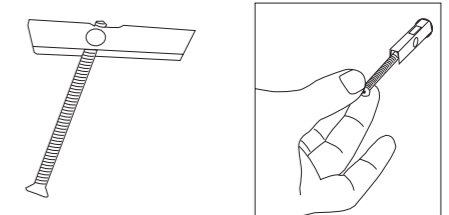


Pre-drill your wall through the bottom rail hole locations and secure metal frame to the wall using appropriate screw/bolt.

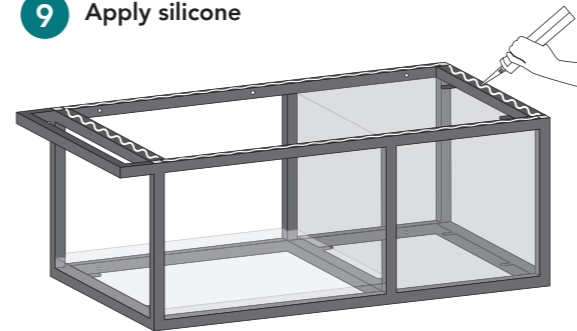
## PLEASE NOTE

Where a stud or support beam cannot be located, use an appropriately sized hollow wall anchor.

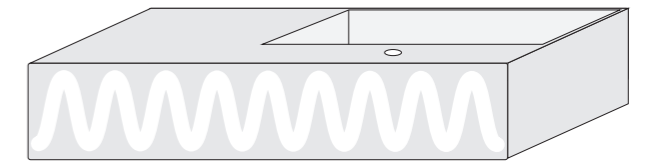
*Note: It is not recommended to ONLY use hollow wall anchors to fix vanity to the wall however these can be used if one or two pilot holes do not penetrate into support beam.*



## 9 Apply silicone

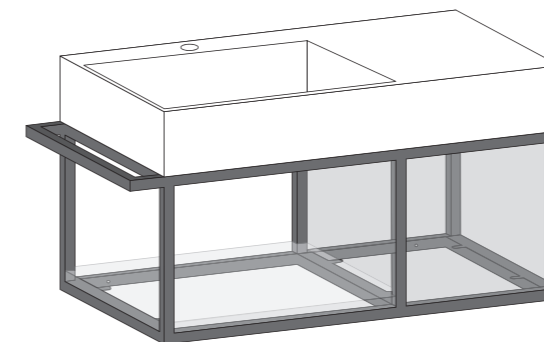


Apply silicone to all top surfaces of the metal frame (excluding the hand towel rail).

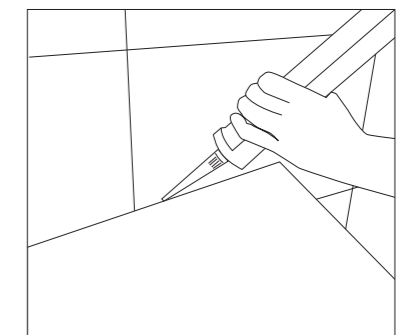


Apply silicone to back edge of ceramic top.

## 10 Place ceramic top on metal frame



## 11 Seal the external edges

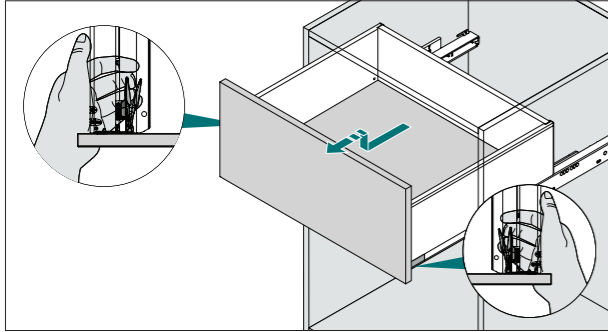


Seal the external edges of ceramic top and bottom shelf to wall. Allow silicone to set for 48 hours before use.

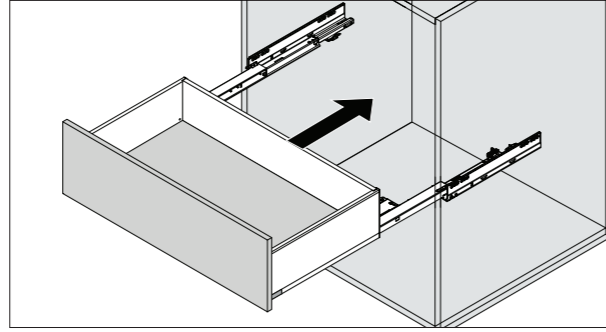
# PUSH-TO-OPEN BLUM LEGRABOX DRAWERS

**NOTE:** Please use a star/torx screwdriver for adjusting the Blum Legrabox.

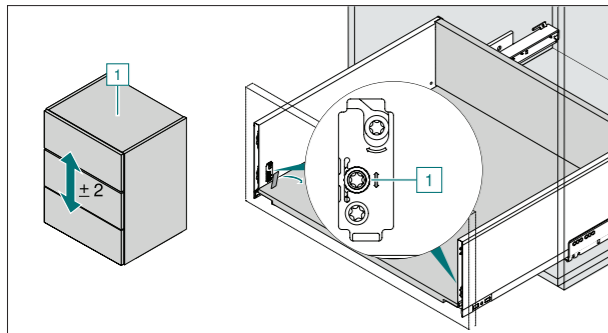
## REMOVING DRAWER



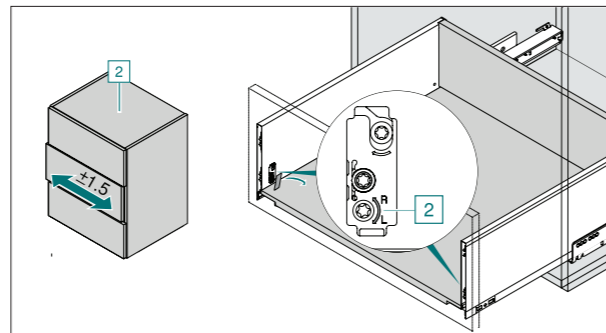
## INSERTING DRAWER



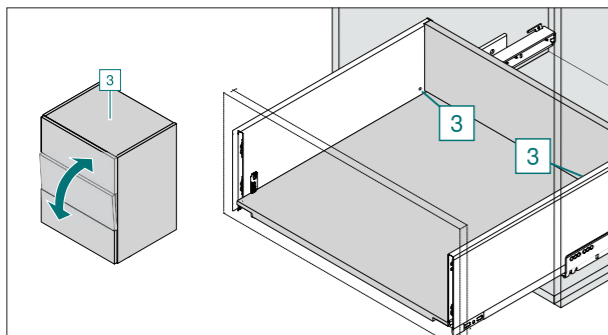
## HEIGHT ADJUSTMENT



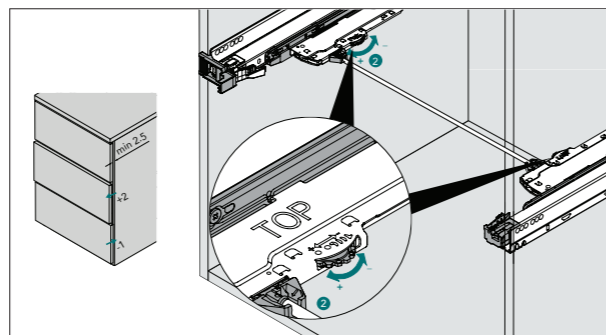
## LATERAL ADJUSTMENT



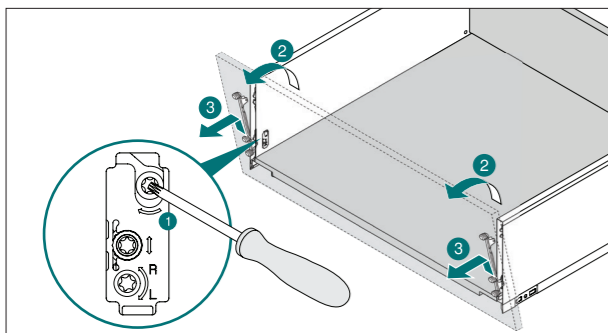
## TILT ADJUSTMENT



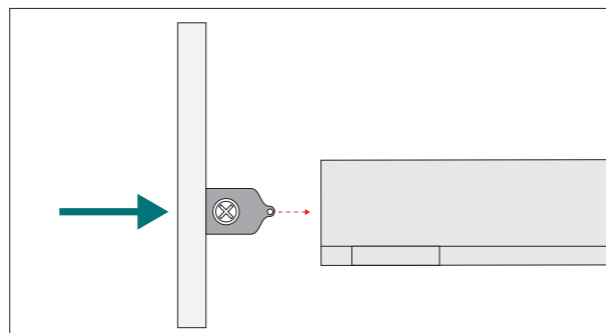
## DEPTH ADJUSTMENT



## DRAWER FRONT REMOVAL



## DRAWER FRONT INSTALLATION



# CARE & MAINTENANCE

## TIPS

- ADP products are produced from materials that are well suited to the bathroom, however it is important that your bathroom has sufficient ventilation to avoid excessive moisture. High humidity will lead to permanent dampness and mould, resulting in deterioration of the materials.
- Care must always be taken to dry any excessive moisture or water spillage.

## CABINETS

- To maintain the finish on your cabinet use only a soft cloth and weak solution of non abrasive detergent.
- To remove scratches, marks, etc. on two pack polyurethane, rub gently with car cutting compound, car polish or household brass/silver cleaner.
- Goods used in construction are water/moisture-resistant, but not water-proof.
- All cabinets should be installed at least 300mm away from showers or bathtubs to avoid water damage.

## CERAMIC BASINS AND TOPS

- To maintain the finish on your ceramic top use only a soft cloth and weak solution of non abrasive detergent.
- Due to the glazed surface of ceramic tops, scratches cannot be repaired or removed.
- Due to ceramic being a handcrafted product that is fired at high temperatures, some visual distortion may occur. This is not a defect but can be seen to add to the beauty of the product.

## METAL FRAME

- To maintain the finish on your metal frame, dust regularly and use only a soft cloth and weak solution of non abrasive detergent to wipe over the metal frame.
- Minor scratches can be touched up, please contact ADP to purchase appropriate touch up paint.



# WARRANTY

**NOTE:** Unless otherwise stated warranties for ADP products are as follows:

PRODUCT	DOMESTIC WARRANTY	COMMERCIAL WARRANTY
Antonio Vanity (excluding ceramic top)	10 years	1 year
Ceramic Top	1 year	1 year

Our products come with guarantees that cannot be excluded under the Australian Consumer Law. You are entitled to a replacement or refund for a major failure upon inspection by an authorised representative where a product is found to be defective in construction, material or assembly. You are also entitled to have the goods repaired or replaced if the goods fail to be of acceptable quality and the failure does not amount to a major failure, free of charge.

## CONDITIONS

1. Items must be installed by a licensed tradesperson.
2. Failure is due to a fault in the manufacture of the product.
3. Proof of purchase is provided.
4. The installation of the product is in accordance with the instructions provided.

## EXCLUSIONS

To the fullest extent permitted by law, the manufacturer excludes all liability for damage or injury to any person, damage to any property and any indirect consequential or other loss or damage. Manufacturer will not be liable for the cost of installation or removal of any unit and the warranty will be VOIDED if damage occurred during or after INSTALLATION or a damaged or incorrect unit has been installed. Door and drawer adjustment; Unsuitable or improper use; Incorrect installation or installation not in accordance with the instructions provided; Installation or part installation by the purchaser or any person other than a LICENSED tradesperson; Normal wear and tear; Inadequate or complete lack of maintenance; chemical, electrochemical or electrical influences; excessive heat damage or Harsh detergents or abrasive cleaners used on product finishes, are NOT considered a warranty issue.

## CLAIM PROCEDURE

For all warranty queries customers are to contact the branch where the product was purchased. These details can be found on your purchase invoice.

## SERVICE CALL OUT FEES & CHARGES

*In the event of a call out for issues covered under the ADP manufacturer warranty, no call out fees will apply.*

If ADP is called out and the cause of the issue falls within the warranty exclusions or the installation instructions have not been adhered to, the following charges will apply:

**Call out fee:** \$198.00 initial cost, first 15 minutes included.

**Service time onsite:** \$24.75 / billed in 15 minute increments.

**Call out times:** Business hours 9am - 5pm.

**Note:** Response time will depend on technician availability.



# WARRANTY AGREEMENT - HOME OWNER TO KEEP

**IMPORTANT:** Warranty form to be completed by a licensed qualified tradesperson responsible for the installation of this unit. Any warranty will be VOIDED if unit is not installed by a licensed qualified tradesperson.

Cabinet Installed by: \_\_\_\_\_ Phone: \_\_\_\_\_

Trade & license number: \_\_\_\_\_ Date: \_\_\_\_|\_\_\_\_|\_\_\_\_

Product name/description: \_\_\_\_\_ Purchase Date: \_\_\_\_|\_\_\_\_|\_\_\_\_

Product Warranty Number (found on door or drawer inside unit):



Architectural Designer Products Pty Ltd.  
P.O. Box 1455, Unanderra NSW 2526 | ABN 34 073 064 721