

WALL HUNG TOILET



Features

- Wall Hung Type, easy cleaning
- TORNADO FLUSH for powerful flushing effect with less amount of water
- CEFIONTECT prevent debris on toilet surface
- RIMLESS DESIGN bowl ensures easy cleaning and ultimate hygiene
- WATER SAVING

Specifications

Flush system:	TORNADO FLUSH
Water Use:	4.5L / 3L
Rough-in:	H=220 mm (P-Trap)
Bowl Shape:	D-Shape
Water Pressure:	0.05MPa~0.75MPa
Size:	394W x 530D x 339H mm

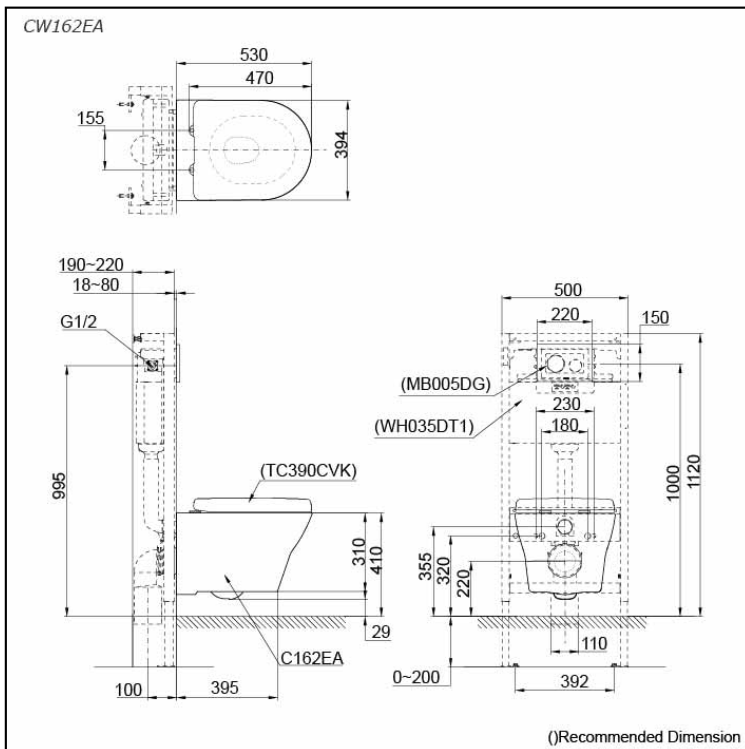
Parts description

Fittings and Seat & Cover are not included

- **CW162EA**
D-Shape Wall Hung Toilet

Optional Parts

- TC390CVK
Soft Close Seat & Cover (Urea Resin)
- WH035DT1
Concealed Cistern w/ Frame
- WH037DT1
Concealed Cistern w/ Frame (Low Type)
- MB005DG
Flush Panel



Colors

White (CEFIONTECT)

WASHLET



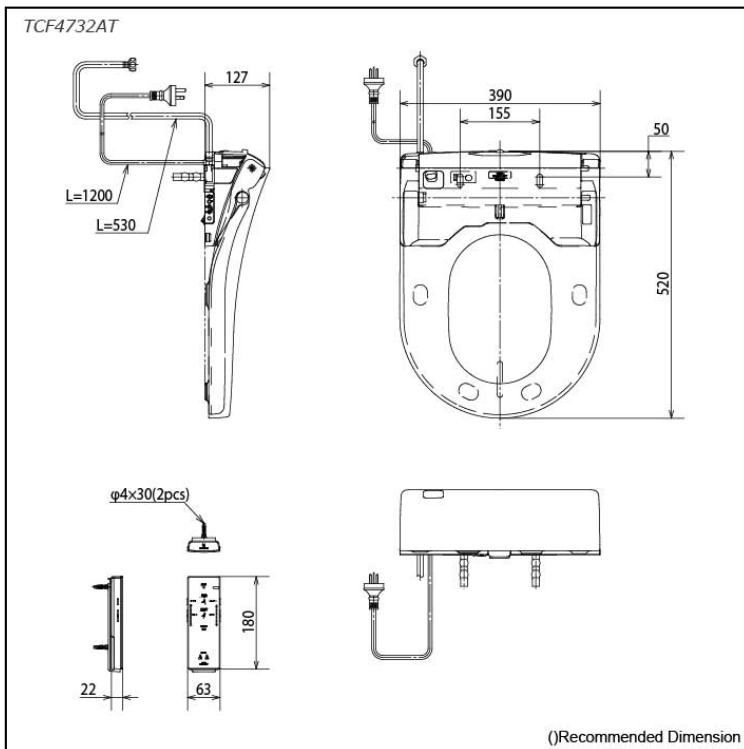
GREEN
GOOD DESIGN
AWARD
2018



reddot award 2016
winner



WaterMark



Features

- EWATER+ spreads out and keeps clean toilet bowl and nozzle by preventing bacterial with sanitizing effect
- Auto lid opening and closing
- Maximized comfort function with new wide front and pulsating cleansing
- Fully equipped with comfortable rear, front and oscillating cleansing functions
- New auto soft light function usable for night time usage
- Auto powerful DEODORIZER activates after every usage
- Easy remove for cleaning

EWATER+ is made from tap water by electrolyzed chloride ion without any chemicals. After use, it returns to normal water in the state of safe and environmental friendly

Specifications

Bowl Shape:	D-Shape
Water Pressure:	0.05Mpa~0.75Mpa
Power Rating:	220~240V , 50/60Hz , 1275~1400W
Length of Power Cord:	1.2 m
Material:	Plastic
Size:	390W x 520D x 127H mm

Parts description

- TCF4732AT WASHLET D-shape

Colors

White