

TECEloop Glass FLUSH PLATE

TECE
close to you

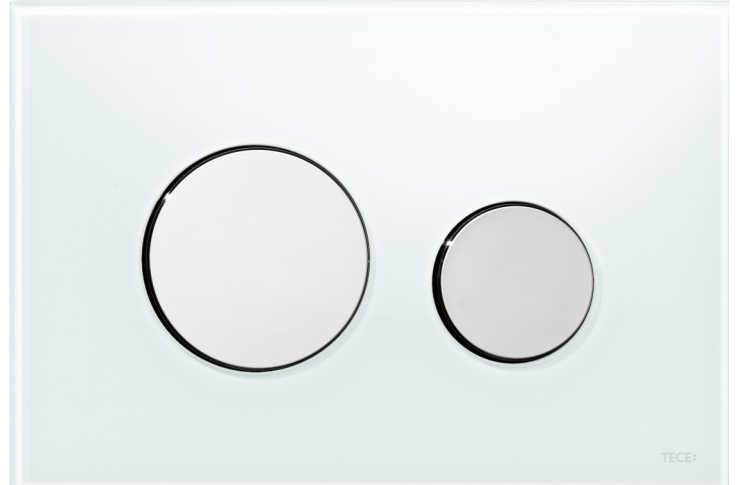
Available Colours:

White/White -	9.240.650
Black/White -	9.240.654
Black/Matte Chrome -	9.240.655
Black/Chrome -	9.240.656
Black/Black -	9.240.657
White/Matte Chrome -	9.240.659
White/Chrome -	9.240.660

Suitable for use with all TECE Cisterns

Minimum wall thickness for button installation is 18mm (includes sheeting and tiles)

When using wall hung cisterns TECE recommend using compressed sheeting/non flexing board.

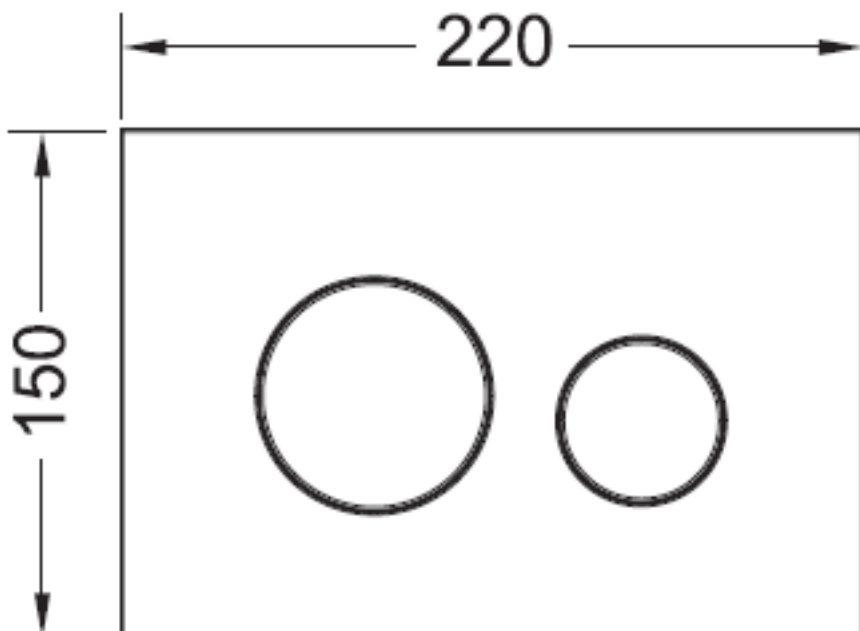


Note:

Flush mounting requires 25mm wall sheeting prior to tiles

TECE Flush Mount Kit which is sold separately

2 Year Parts and Labour Warranty



Proudly imported and distributed by

Gro Agencies Pty Ltd

Unit 2 / 37 Howe St, Osborne Park, WA, 6017

P 08 9446 3288 E info@groagencies.com.au W www.groagencies.com.au

gro
agencies