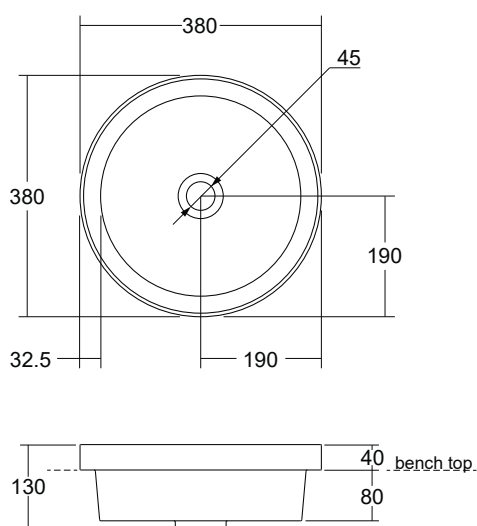


Inspired by the angular geometry and minimalist monochromatic colour pallet of the mid-century brutalist movement, Pere basins complement any contemporary interior. The Pere round basin offers a generous size wash basin while compact enough to suit most modern vanities.

The Pere round is available for order in solid surface white with a chrome pop-up plug and waste or optional matching solid surface white waste cap. Pere round can be mounted above counter or semi-inset and is available with Omvivo Softskin finishes. See Pere round above counter basin and Softskin specification sheets for more information.



Dimensions

Width: 380mm
 Depth: 380mm
 Height: 40mm

Features

Colour: White
 Material: Solid surface
 Finish: Matt
 Overflow: No
 Waste Size: 32mm
 Waste Supplied: Yes - 32-40mm chrome pop-up waste
 Weight: 6 kg
 Capacity: 7.8 litres
 Options: Solid surface white waste cap
 Softskin

Cleaning

Solid Surface: Spills should be cleaned up promptly. Clean with a mild detergent or soapy water and soft cloth. For more stubborn marks use a diluted very mild abrasive cleaner with a soft cloth in light circular motions over the entire surface. Finish by cleaning off detergents with a soft wet cloth and towel dry. Avoid using bleach, highly acidic products and coloured abrasive cleaners on your basin.

Softskin: Softskin is a layered finish that is applied to solid surface products. Clean with warm soapy water, or a non-abrasive, non-acidic liquid cleaner and a soft cloth. Finish by cleaning off detergents with a soft wet cloth and towel dry. Do not use harsh materials such as scourers, abrasive detergents or solvents, as the surface may scratch or graze.