

SensoWash i PLUS - Stainless Panel

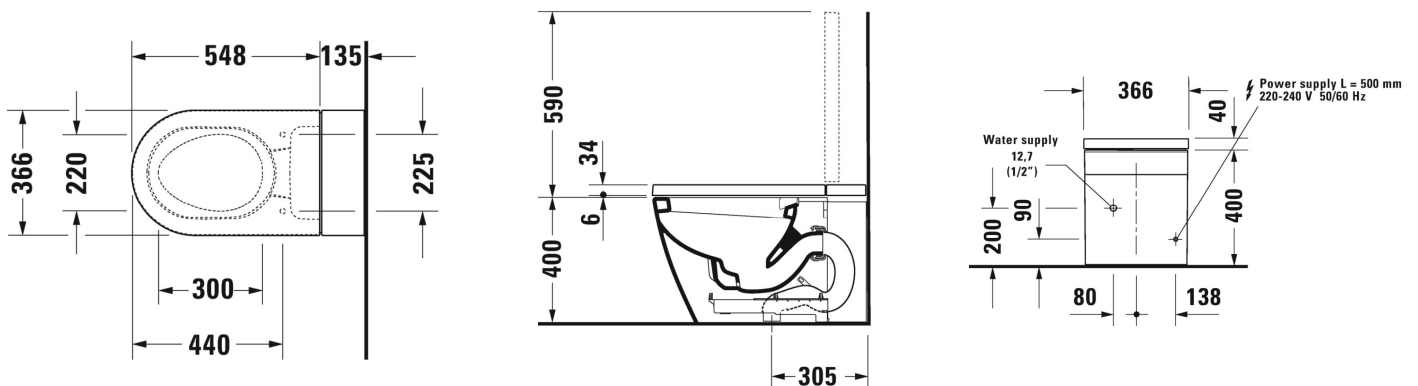
CODE: D810000X



Product Information

Dimensions	683 x 366mm	Collection	SensoWash
Weight	36kg	Designer	Philippe Starck
Colour	White / Stainless	Warranty	2 Years (Conditions Apply)

Technical Diagrams



SensoWash i PLUS

CODE: D810000W / D810000X

Features & Benefits

- Rear & front and oscillating wash
- Seat heating
- Intelligent energy saving mode
- Warm air dryer
- Individual adjustment of water
- Air and seat surface temperature adjustment
- Adjustable nozzle position and jet strength
- Automatic drainage in periods of prolonged disuse
- Descaling function
- Night light
- Rimless flush
- Self-cleaning wand
- Stainless steel nozzles
- Instant water heating system
- Easy installation
- Remote control included
- Bluetooth App operation
- Wall-mountable holder
- Seat/lid material thermoplastic
- Hygiene Glaze 2.0
- Concealed connection
- Auto flush