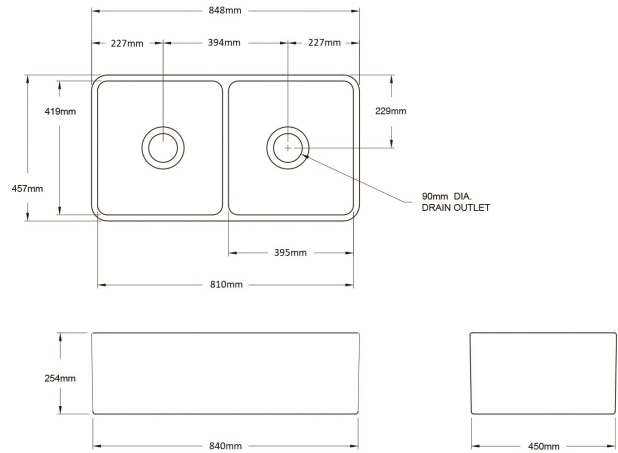


Novi 85 x 46 Fine Fireclay Concrete Look Butler Sink

Code: NO854FS-CL



Specifications

- Material: Fine Fireclay
- Finish: Concrete Look
- Waste Outlets Included: 90x50mm Basket Wastes
- Mounting options: Butler (front showing), Counter Top (glazed on all 4 sides), Under Counter (shelving required as shown in image)
- Capacity per bowl: 34L
- Internal depth: 210mm
- Approx. external radius: 45 mm
- Suitable for use with food waste disposer – we recommend purchase of an extended flange and a model with anti-vibration collar
- This sink is reversible, so it can be installed with flat or ribbed/farmhouse side facing out.
- Note: Fine Fireclay is a natural product and therefore subject to variations. This should be seen as a quality that adds to its unique natural beauty. Variations +/- 2% to the specifications are common and acceptable and are within industry tolerance. We always recommend the cabinet maker and stone provider has the actual sink with them to measure before making cabinetry or cutting stone. For more information please visit our Installation Care & Warranty page or Contact Us.
- This sink is reversible, so it can be installed with flat or ribbed/farmhouse side facing out.

Warranty

For peace of mind, Turner Hastings offers the following warranty on this product and its components:

Fine fireclay - Lifetime

For more details, click here to refer to our warranty page.