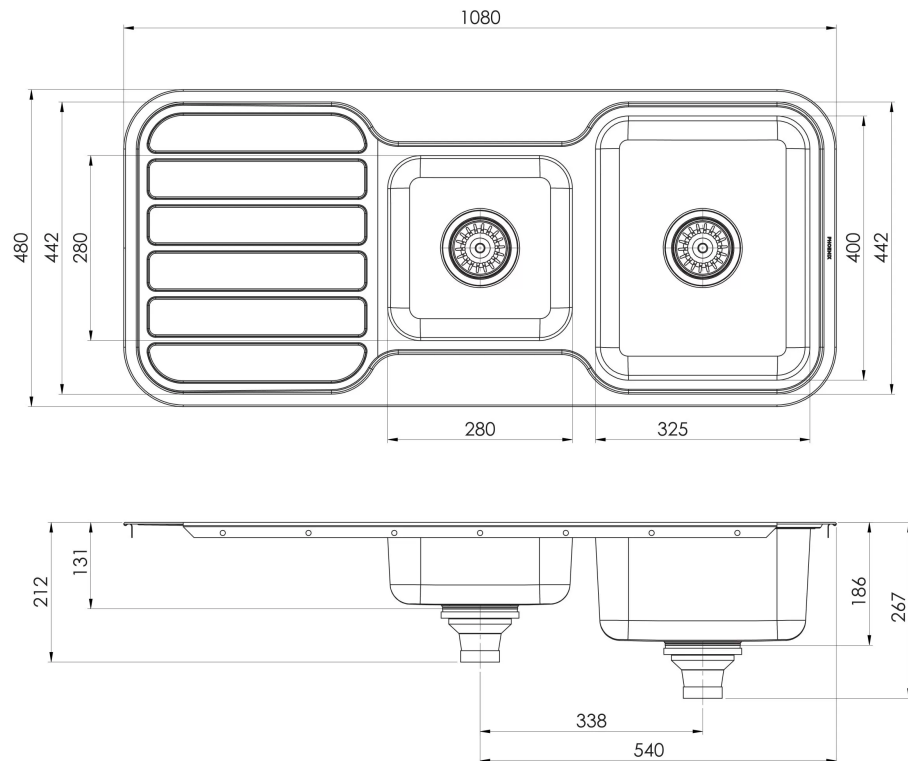


1000 SERIES SINKS

1000 SERIES 1 AND 3/4 BOWL SINK WITH DRAINER AND NO TAPHOLE

SPECIFICATIONS



AVAILABLE IN



300-5301-50
Stainless Steel

INFORMATION



MAINTENANCE AND CARE:

- All surfaces should be cleaned with mild liquid detergent or soap and water.
- Do not use cream cleaners or citrus based cleaning products, as they are abrasive.
- Use of unsuitable cleaning agents may damage the surface.
- Any damage caused in this way will not be covered by warranty.

Please visit <https://www.phoenixtapware.com.au/warranty> to view the full warranty