

LOUIS LEGRANDE REVERSIBLE

LEGRANDE 3W SINK



INCLUDED ACCESSORIES



6020L

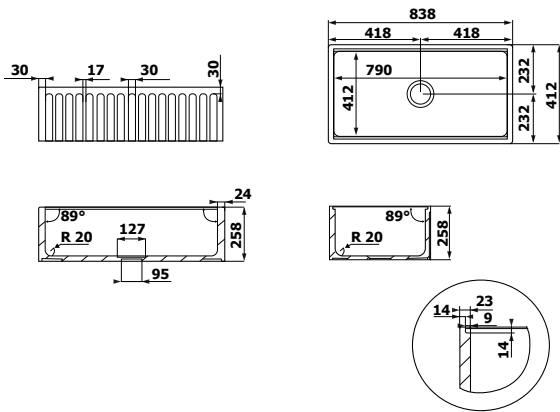


Chopping Board



Drain Tray

DIMENSIONS



Due to the Nature of Earthenware Products Dimensions are Approximate +/- .5 Inch

SPECIFICATIONS

Description	Large Single Bowl Fireclay Sink, Inset / Under Mount / Flush Mount
Overall Sink Size	L838mm x W460mm x D258mm
Bowl Dimensions	L714mm x W413mm x D238mm
Drainer Length	N/A
Bowl Radius	20mm
Technic	Fireclay Sink
Material	Fireclay

INSTALLATION

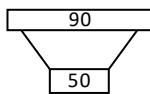
Template	N/A
Tap Holes	NTH

SURFACE FINISH



SILKY SMOOTH

WASTE KIT



MATERIAL

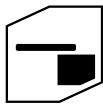


FIRECLAY

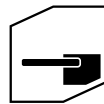
PLUMBING

Waste Fittings	1 x (90mm x 2") basket waste included
Overflow	No

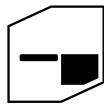
INSTALLATION OPTIONS



INSET



UNDER MOUNT



FLUSH MOUNT

PACKAGING

Gross Weight	41kg
Carton Size	770mm x 260mm x 460mm
Pack QTY	1

AVAILABLE IN



LEGRANDE-3W
(WHITE)